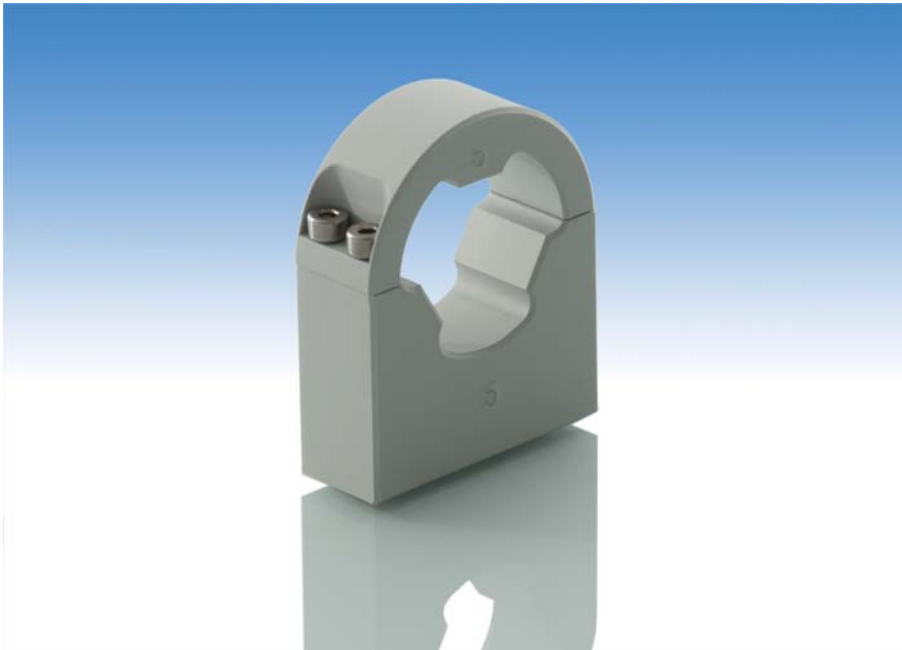


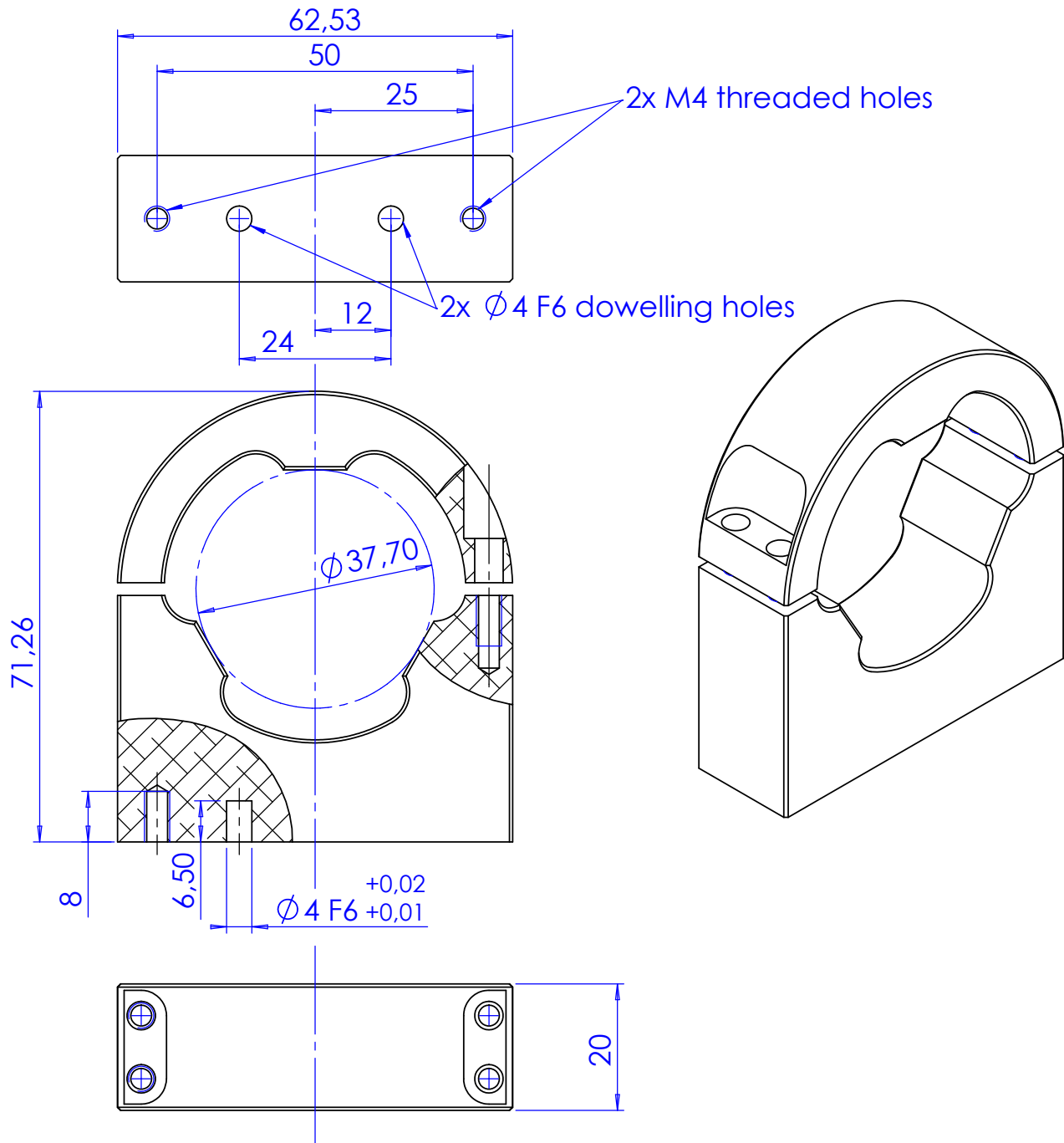
CMHO16

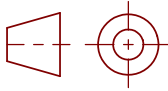


Mechanical Holder for 16-type telecentric optics



part number		CMHO16
Compatible Optics		
Matrix Camera Telecentric		TC1216, TC2316
Large Detector Telecentric		TC4M16, TC2M16
Very Large Detector Telecentric		
LT CL illuminators		LTCL16/x
Compatible Plates		CMPT16-24
Length	(mm)	20,0
Width	(mm)	63
Height	(mm)	71,2
Optical Axis Height	(mm)	40,0
Weight	(g)	123,0

1	2	3	4
Rev No.	Description		Date
A	New Part		16/09/09
			N. Santini



Material Aluminum - UNI EN 573 EN AW 6063			Mass 123.4 g	Scale 1:1						
Surface treatment Grey Anodizing			Project-Prod.item/Instrument CMHO16							
Geometrical tolerance (ISO 2768-2)			Description CMHO16							
Linear tolerance (ISO 2768-2)										
0.5 ±3	>3± 6	>6± 30	>30± 120	>120 ±400	>400± 1000	>1000 ±2000	>2000 ±4000	Undimensioned bevels	0.5x45°	Undimensioned radii R 0.5
±0.1	±0.1	±0.2	±0.3	±0.5	±0.8	±1.2	±2			
 www.opto-engineering.com		Date		Name		Drawing No.		Sheet		
		Designed	16/09/09	N. Santini		18875-0-A		1/1		
		Draw	16/09/09	N. Santini						
Checked	X	C. Sedazzari		Reproduction forbidden without specific authorization						
OPTO ENGINEERING S.r.l. - 46100 Mantova Italy - Via Cremona, 29/2 - Tel. +39 0376 229585 - e-mai: info@opto-engineering.com - http://www.opto-engineering.com										