

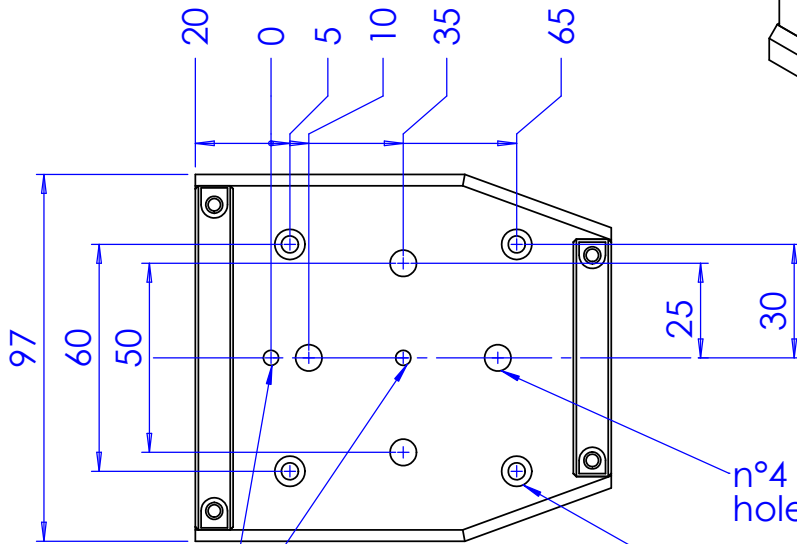
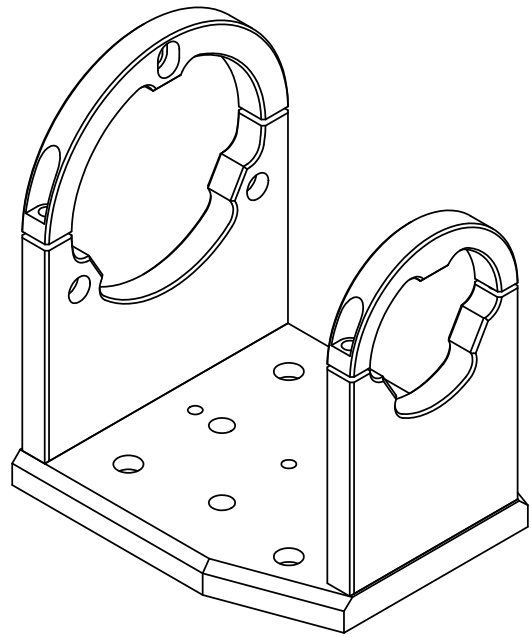
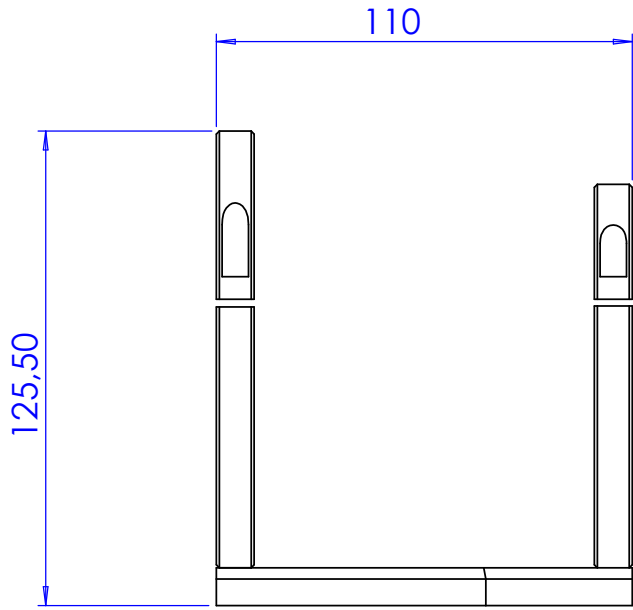
CMH036

Mechanical Holder for 36-type telecentric optics



part number		CMH036
Compatible Optics		
Matrix Camera Telecentric		TC1336, TC1236, TC2336
Large Detector Telecentric		TC4M36, TC2M36
Very Large Detector Telecentric		TC16M036
LT CL illuminators		LTCL36/x
Compatible Plates		CMPT36
Length	(mm)	110,0
Width	(mm)	97
Height	(mm)	125,5
Optical Axis Height	(mm)	80,0
Weight	(g)	520,0

Rev No.	Description	Date	Name
A	New Part	16/09/09	N. Santini



n° 2 dowelling holes $\varnothing 4$ F6

n°4 trough all holes for M6 screws

n°4 counterbored holes for M4 screws

Material Aluminum - UNI EN 573 EN AW 6063			Mass 518.2 g	Scale 1:2					
Surface treatment Grey Anodizing			Project-Prod.item/Instrument CMHO36						
Geometrical tolerance (ISO 2768-2)			Description CMHO36						
Linear tolerance (ISO 2768-2)									
0.5 ±3	>3± 6	>6± 30			>30± 120	>120 ±400	>400± 1000	>1000 ±2000	>2000 ±4000
±0.1	±0.1	±0.2	±0.3	±0.5	±0.8	±1.2	±2		
 www.opto-engineering.com		Date	Name	Drawing No.	Sheet				
		Designed	16/09/09	N. Santini	18873-0-A	1/1			
		Draw	16/09/09	N. Santini					
Checked	X	C. Sedazzari	Reproduction forbidden without specific authorization						