

CMPT36

Optical Plate For 36-Type Telecentric Optics

LT CL illuminators:
LTCL36/x, LTCLUV36

Teleclamp:
CMH036

Matrix Camera Telecentric:
TC1336, TC1236, TC2336

Large Detector Telecentric:
TC4M36, TC2M36

UV Telecentric:
TCUV1236, TCUV2336

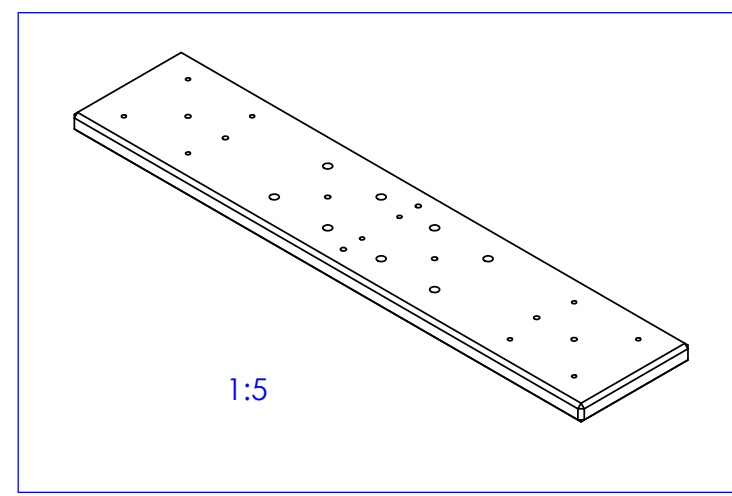
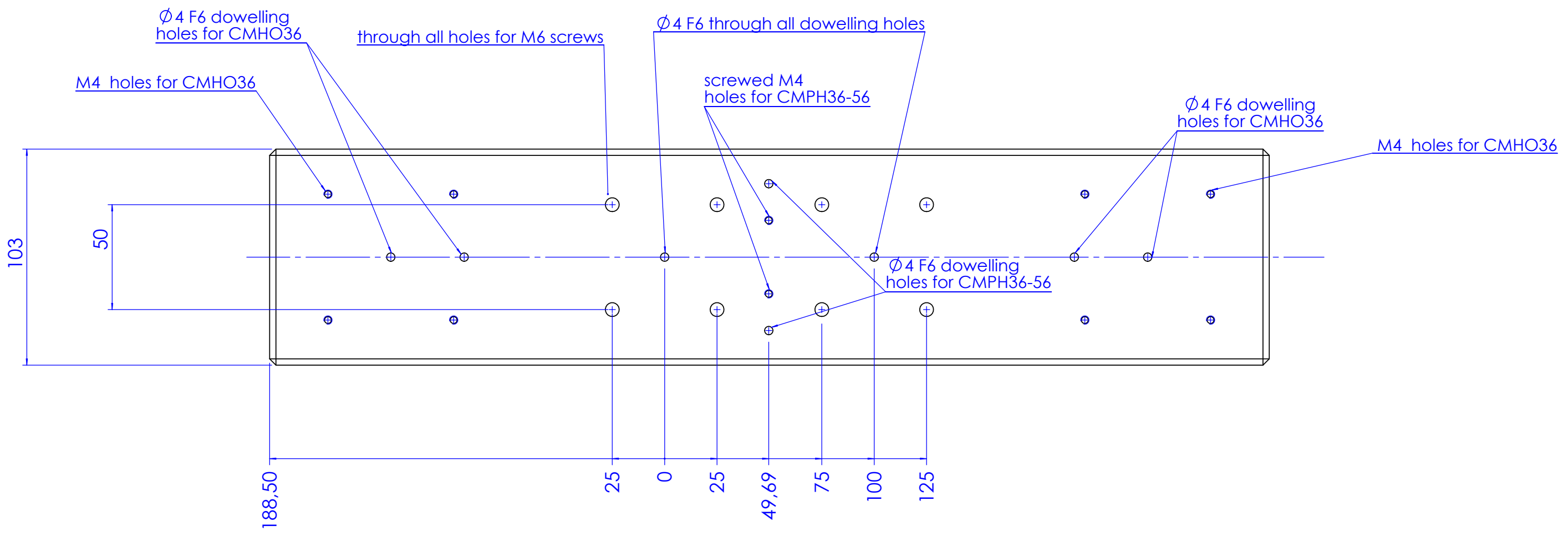
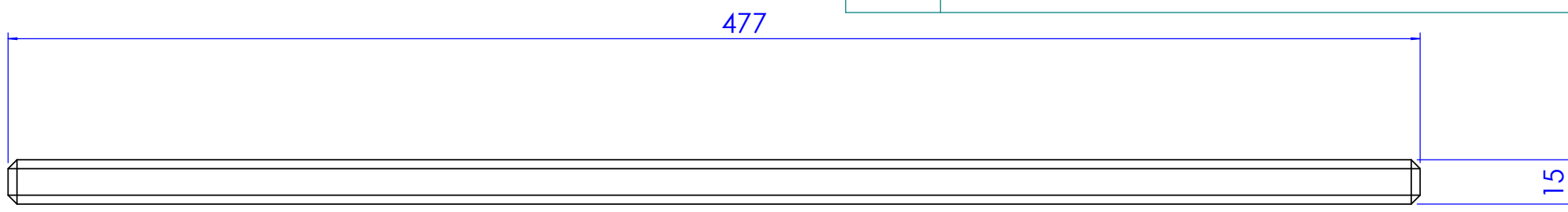
Pattern Holder:
CMPH036-056

Pattern:
PT036-056

CMPT36

part number		CMPT36
Compatible CMHO mechanics		CMH036
Compatible Pattern mounts		CMPH036-056
Length	(mm)	477,0
Width	(mm)	103,0
Thickness	(mm)	15,0
Weight	(g)	1950

Rev No.	Description	Date	Name
A	New Part	16/09/09	N. Santini



Material Aluminum - UNI EN 573 EN AW 6063		Mass 1944 g		Scale 1:2	
Surface treatment Gray Condensed Anodization		Project-Prod.item/Instrument CMPT36		Description CMPT36	
Geometrical tolerance (ISO 2768-2)		Class	K	Undimensioned bevels	1x45°
Linear tolerance (ISO 2768-2)		Class	m	Undimensioned radii	R 0.5
0.5 ±3	>3± 6	>6± 30	>30± 120	>120 ±400	>400± 1000
±0.1	±0.1	±0.2	±0.3	±0.5	±0.8
		Date		Name	
		Designed 16/09/09		N. Santini	
		Draw 16/09/09		N. Santini	
		Checked X		C.Sedazzari	
		Drawing No.		Sheet	
		18962-0-A		1/1	
Reproduction forbidden without specific authorization					