

CMPT56

Optical Plate For 56-Type Telecentric Optics

LT CL illuminators:
LTCL56/x, LTCLUV56

Teleclamp:
CMH056

Matrix Camera Telecentric:
TC1256, TC2356

Large Detector Telecentric:
TC4M56, TC2M56

UV Telecentric:
TCUV1256, TCUV2356

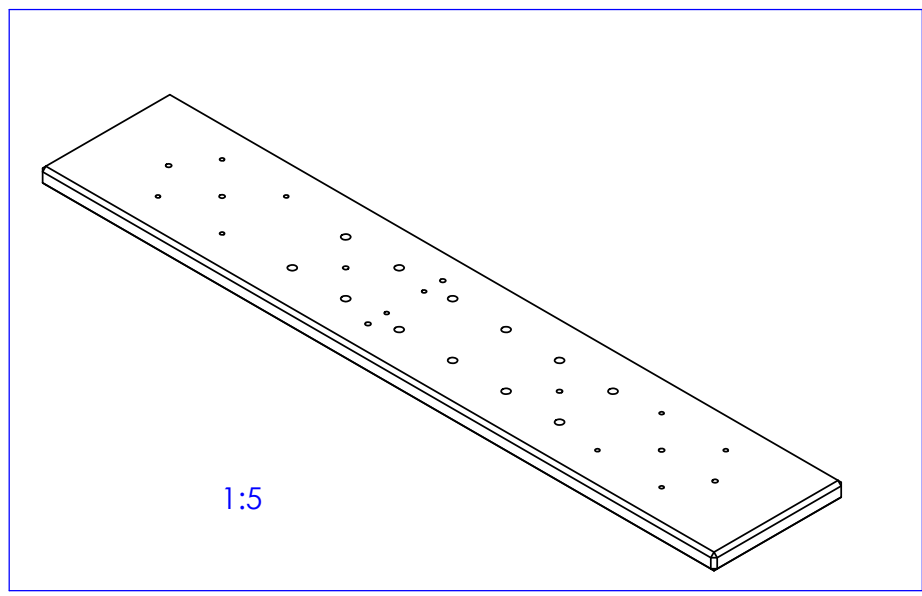
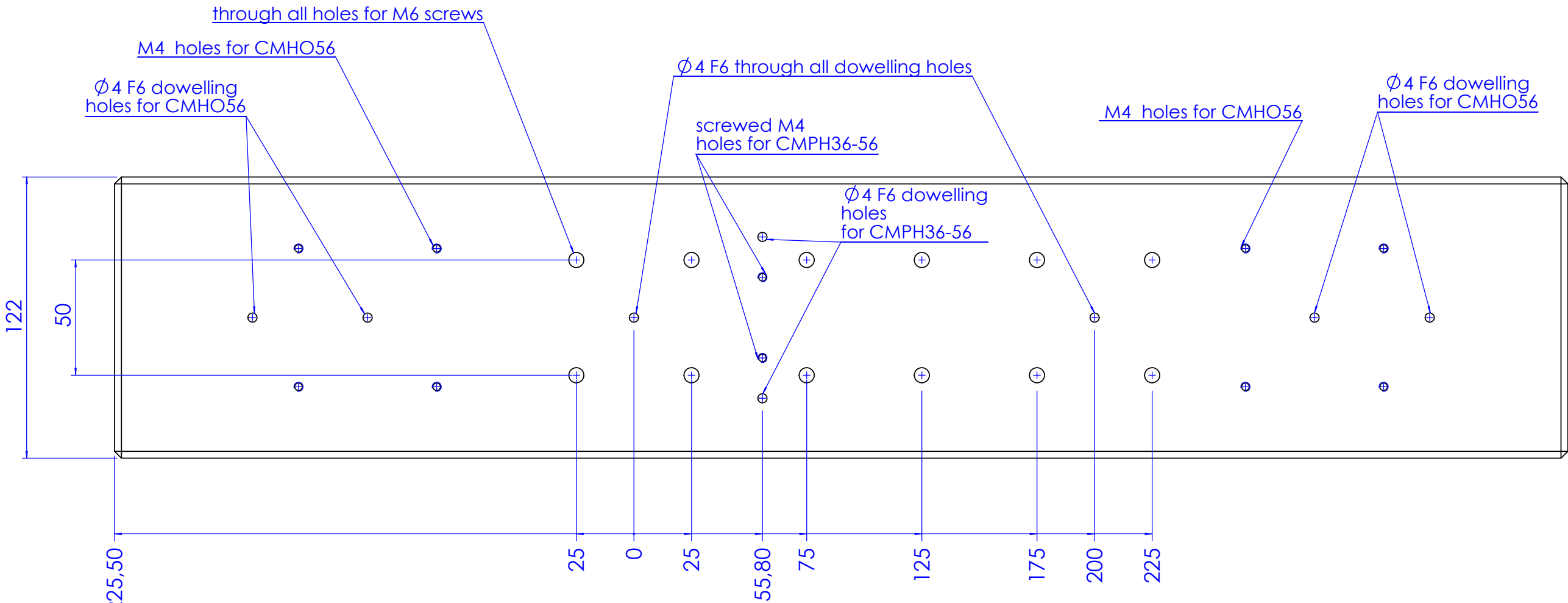
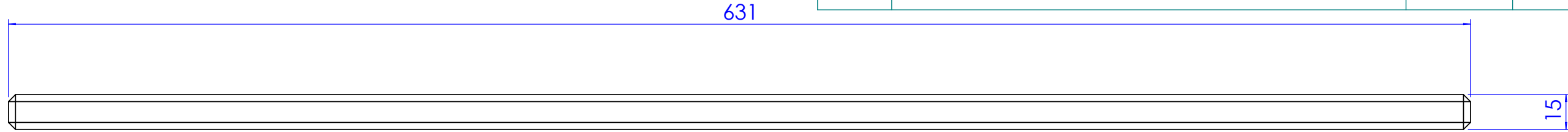
Pattern Holder:
CMPHO36-056

Pattern:
PT036-056

CMPT56

part number		CMPT56
Compatible CMHO mechanics		CMH056
Compatible Pattern mounts		CMPHO36-056
Length	(mm)	631,0
Width	(mm)	122,0
Thickness	(mm)	15,0
Weight	(g)	3060

Rev No.	Description	Date	Name
A	New Part	16/09/09	N. Santini



Material Aluminum - UNI EN 573 EN AW 6063			Mass 3058 g	Scale 1:2
Surface treatment Gray Condensed Anodization			Project-Prod.item/Instrument CMPT56	
Geometrical tolerance (ISO 2768-2)		Class K	Description CMPT56	
Linear tolerance (ISO 2768-2)		Class m	Undimensioned bevels 1x45°	Undimensioned radii R 0.5
0,5 ±3	>3÷ 6	>6÷ 30	>30÷ 120	>120 ±400
			>400÷ 1000	>1000 ±2000
				>2000 ±4000
±0.1	±0.1	±0.2	±0.3	±0.5
			±0.8	±1.2
			±2	
 www.opto-engineering.com		Date	Name	Drawing No.
		Designed 16/09/09	N. Santini	18942-0-A
		Draw 16/09/09	N. Santini	
Checked X		C.Sedazzari	Sheet 1/1	Reproduction forbidden without specific authorization
OPTO ENGINEERING S.r.l. - 46100 Mantova Italy - Via Cremona, 29/2- Tel. +39 0376 263565 - e-mai: info@opto-engineering.com - http://www.opto-engineering.com				