

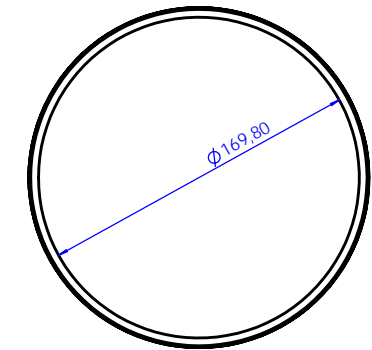
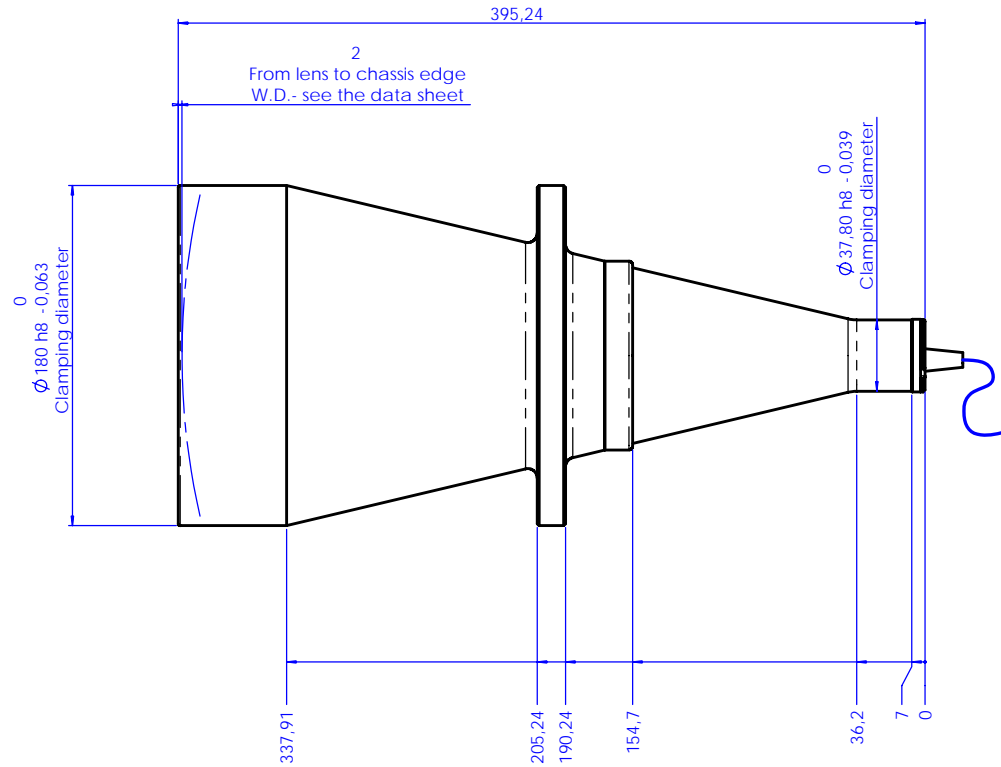
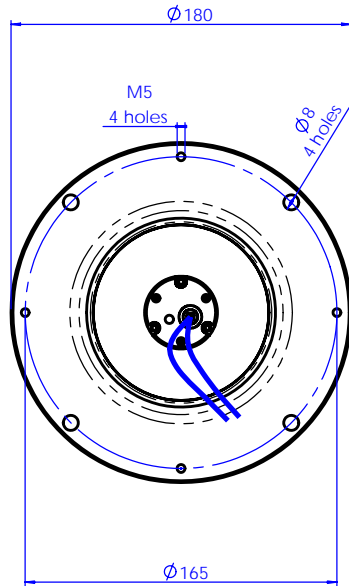
LT CL 120

Collimated Illuminator



part number	LT CL 120/X	
Beam Diameter	(mm)	150,0
Available Colours		
/R (red)		x
/G (green)		x
/B (blue)		x
/W (white)		x
/IR890 (IR, peak 890 nm)		x
/IR890 (IR, peak 940 nm)		x
Length	(mm)	395,2
Outer Diameter	(mm)	180,0
Compatible Telecentric Lenses		
	TC 13	n.a.
	TC 12	120
	TC 23	110, 120
	TC 4M	110, 120
	TC 2M	120
	TC16M	120
DEVICE POWER RATINGS		
DC Voltage	(volt)	12 to 24
Power Consumption	(watt)	< 2 watt
LED DIRECT DRIVE RATINGS		
for /W, /B and /G versions		
Max Forward DC Voltage	(volt)	3,5
Max Forward Current	(mA)	350
for /R version		
Max Forward DC Voltage	(volt)	2,5
Max Forward Current	(mA)	350
for /IR890 and /IR940 versions		
Max Forward DC Voltage	(volt)	1,6
Max Forward Current	(mA)	500 mA

Rev No.	Description	Date	Name
A	First light	06/02/07	A.Vismara
B	New LED holder	10/05/08	A.Vismara



Material	N.A.	Mass	4.9 kg	Scale	1:2
Surface treatment	N.A.	Project-Prod.Item	LT CL 120		
Geometrical tolerance (ISO 2768-2)		Class	K	Undimensioned Bevels	1x45°
Linear tolerance (ISO 2768-2)		Class	m	Undimensioned radii	R 0.5
0.5	>3-	>6-	>30-	>120	>400-
-3	6	30	120	400	1000
±0.1	±0.1	±0.2	±0.3	±0.5	±0.8
		Class	H	Undimensioned chamfers	±2
		Class	12	Undimensioned chamfers	±1.2
		Class	18	Undimensioned chamfers	±1.2
		Class	24	Undimensioned chamfers	±1.2
		Class	30	Undimensioned chamfers	±1.2
		Class	36	Undimensioned chamfers	±1.2
		Class	42	Undimensioned chamfers	±1.2
		Class	48	Undimensioned chamfers	±1.2
		Class	54	Undimensioned chamfers	±1.2
		Class	60	Undimensioned chamfers	±1.2
		Class	66	Undimensioned chamfers	±1.2
		Class	72	Undimensioned chamfers	±1.2
		Class	78	Undimensioned chamfers	±1.2
		Class	84	Undimensioned chamfers	±1.2
		Class	90	Undimensioned chamfers	±1.2
		Class	96	Undimensioned chamfers	±1.2
		Class	102	Undimensioned chamfers	±1.2
		Class	108	Undimensioned chamfers	±1.2
		Class	114	Undimensioned chamfers	±1.2
		Class	120	Undimensioned chamfers	±1.2
		Class	126	Undimensioned chamfers	±1.2
		Class	132	Undimensioned chamfers	±1.2
		Class	138	Undimensioned chamfers	±1.2
		Class	144	Undimensioned chamfers	±1.2
		Class	150	Undimensioned chamfers	±1.2
		Class	156	Undimensioned chamfers	±1.2
		Class	162	Undimensioned chamfers	±1.2
		Class	168	Undimensioned chamfers	±1.2
		Class	174	Undimensioned chamfers	±1.2
		Class	180	Undimensioned chamfers	±1.2
		Class	186	Undimensioned chamfers	±1.2
		Class	192	Undimensioned chamfers	±1.2
		Class	198	Undimensioned chamfers	±1.2
		Class	204	Undimensioned chamfers	±1.2
		Class	210	Undimensioned chamfers	±1.2
		Class	216	Undimensioned chamfers	±1.2
		Class	222	Undimensioned chamfers	±1.2
		Class	228	Undimensioned chamfers	±1.2
		Class	234	Undimensioned chamfers	±1.2
		Class	240	Undimensioned chamfers	±1.2
		Class	246	Undimensioned chamfers	±1.2
		Class	252	Undimensioned chamfers	±1.2
		Class	258	Undimensioned chamfers	±1.2
		Class	264	Undimensioned chamfers	±1.2
		Class	270	Undimensioned chamfers	±1.2
		Class	276	Undimensioned chamfers	±1.2
		Class	282	Undimensioned chamfers	±1.2
		Class	288	Undimensioned chamfers	±1.2
		Class	294	Undimensioned chamfers	±1.2
		Class	300	Undimensioned chamfers	±1.2
		Class	306	Undimensioned chamfers	±1.2
		Class	312	Undimensioned chamfers	±1.2
		Class	318	Undimensioned chamfers	±1.2
		Class	324	Undimensioned chamfers	±1.2
		Class	330	Undimensioned chamfers	±1.2
		Class	336	Undimensioned chamfers	±1.2
		Class	342	Undimensioned chamfers	±1.2
		Class	348	Undimensioned chamfers	±1.2
		Class	354	Undimensioned chamfers	±1.2
		Class	360	Undimensioned chamfers	±1.2
		Class	366	Undimensioned chamfers	±1.2
		Class	372	Undimensioned chamfers	±1.2
		Class	378	Undimensioned chamfers	±1.2
		Class	384	Undimensioned chamfers	±1.2
		Class	390	Undimensioned chamfers	±1.2
		Class	396	Undimensioned chamfers	±1.2
		Class	402	Undimensioned chamfers	±1.2
		Class	408	Undimensioned chamfers	±1.2
		Class	414	Undimensioned chamfers	±1.2
		Class	420	Undimensioned chamfers	±1.2
		Class	426	Undimensioned chamfers	±1.2
		Class	432	Undimensioned chamfers	±1.2
		Class	438	Undimensioned chamfers	±1.2
		Class	444	Undimensioned chamfers	±1.2
		Class	450	Undimensioned chamfers	±1.2
		Class	456	Undimensioned chamfers	±1.2
		Class	462	Undimensioned chamfers	±1.2
		Class	468	Undimensioned chamfers	±1.2
		Class	474	Undimensioned chamfers	±1.2
		Class	480	Undimensioned chamfers	±1.2
		Class	486	Undimensioned chamfers	±1.2
		Class	492	Undimensioned chamfers	±1.2
		Class	498	Undimensioned chamfers	±1.2
		Class	504	Undimensioned chamfers	±1.2
		Class	510	Undimensioned chamfers	±1.2
		Class	516	Undimensioned chamfers	±1.2
		Class	522	Undimensioned chamfers	±1.2
		Class	528	Undimensioned chamfers	±1.2
		Class	534	Undimensioned chamfers	±1.2
		Class	540	Undimensioned chamfers	±1.2
		Class	546	Undimensioned chamfers	±1.2
		Class	552	Undimensioned chamfers	±1.2
		Class	558	Undimensioned chamfers	±1.2
		Class	564	Undimensioned chamfers	±1.2
		Class	570	Undimensioned chamfers	±1.2
		Class	576	Undimensioned chamfers	±1.2
		Class	582	Undimensioned chamfers	±1.2
		Class	588	Undimensioned chamfers	±1.2
		Class	594	Undimensioned chamfers	±1.2
		Class	600	Undimensioned chamfers	±1.2
		Class	606	Undimensioned chamfers	±1.2
		Class	612	Undimensioned chamfers	±1.2
		Class	618	Undimensioned chamfers	±1.2
		Class	624	Undimensioned chamfers	±1.2
		Class	630	Undimensioned chamfers	±1.2
		Class	636	Undimensioned chamfers	±1.2
		Class	642	Undimensioned chamfers	±1.2
		Class	648	Undimensioned chamfers	±1.2
		Class	654	Undimensioned chamfers	±1.2
		Class	660	Undimensioned chamfers	±1.2
		Class	666	Undimensioned chamfers	±1.2
		Class	672	Undimensioned chamfers	±1.2
		Class	678	Undimensioned chamfers	±1.2
		Class	684	Undimensioned chamfers	±1.2
		Class	690	Undimensioned chamfers	±1.2
		Class	696	Undimensioned chamfers	±1.2
		Class	702	Undimensioned chamfers	±1.2
		Class	708	Undimensioned chamfers	±1.2
		Class	714	Undimensioned chamfers	±1.2
		Class	720	Undimensioned chamfers	±1.2
		Class	726	Undimensioned chamfers	±1.2
		Class	732	Undimensioned chamfers	±1.2
		Class	738	Undimensioned chamfers	±1.2
		Class	744	Undimensioned chamfers	±1.2
		Class	750	Undimensioned chamfers	±1.2
		Class	756	Undimensioned chamfers	±1.2
		Class	762	Undimensioned chamfers	±1.2
		Class	768	Undimensioned chamfers	±1.2
		Class	774	Undimensioned chamfers	±1.2
		Class	780	Undimensioned chamfers	±1.2
		Class	786	Undimensioned chamfers	±1.2
		Class	792	Undimensioned chamfers	±1.2
		Class	798	Undimensioned chamfers	±1.2
		Class	804	Undimensioned chamfers	±1.2
		Class	810	Undimensioned chamfers	±1.2
		Class	816	Undimensioned chamfers	±1.2
		Class	822	Undimensioned chamfers	±1.2
		Class	828	Undimensioned chamfers	±1.2
		Class	834	Undimensioned chamfers	±1.2
		Class	840	Undimensioned chamfers	±1.2
		Class	846	Undimensioned chamfers	±1.2
		Class	852	Undimensioned chamfers	±1.2
		Class	858	Undimensioned chamfers	±1.2
		Class	864	Undimensioned chamfers	±1.2
		Class	870	Undimensioned chamfers	±1.2
		Class	876	Undimensioned chamfers	±1.2
		Class	882	Undimensioned chamfers	±1.2
		Class	888	Undimensioned chamfers	±1.2
		Class	894	Undimensioned chamfers	±1.2
		Class	900	Undimensioned chamfers	±1.2
		Class	906	Undimensioned chamfers	±1.2
		Class	912	Undimensioned chamfers	±1.2
		Class	918	Undimensioned chamfers	±1.2
		Class	924	Undimensioned chamfers	±1.2
		Class	930	Undimensioned chamfers	±1.2
		Class	936	Undimensioned chamfers	±1.2
		Class	942	Undimensioned chamfers	±1.2
		Class	948	Undimensioned chamfers	±1.2
		Class	954	Undimensioned chamfers	±1.2
		Class	960	Undimensioned chamfers	±1.2
		Class	966	Undimensioned chamfers	±1.2
		Class	972	Undimensioned chamfers	±1.2
		Class	978	Undimensioned chamfers	±1.2
		Class	984	Undimensioned chamfers	±1.2
		Class	990	Undimensioned chamfers	±1.2
		Class	996	Undimensioned chamfers	±1.2
		Class	1000	Undimensioned chamfers	±1.2

