

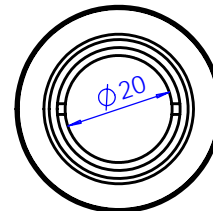
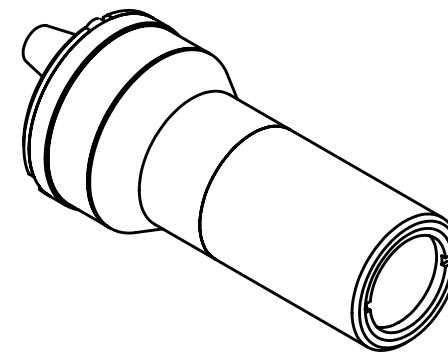
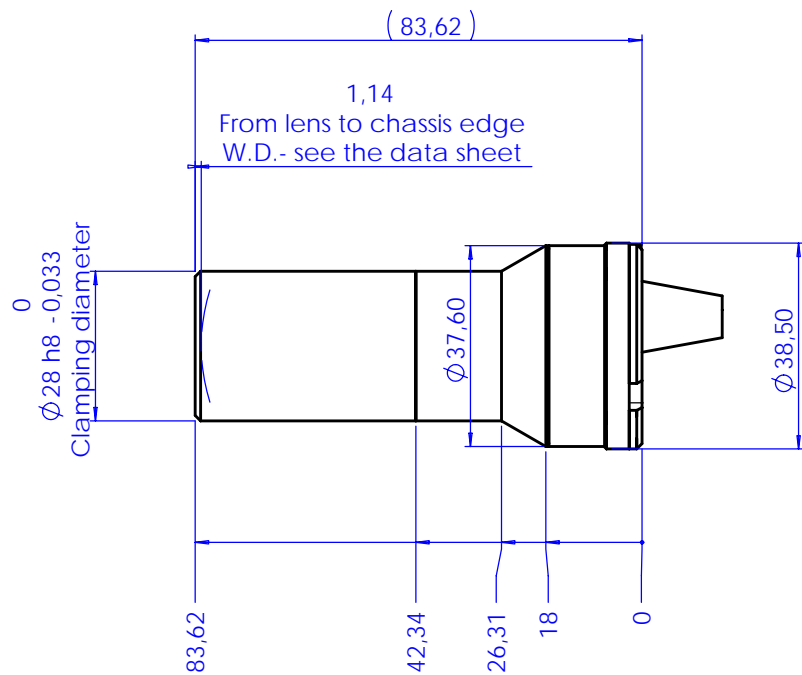
LT CL 23

Collimated Illuminator



part number		LT CL 23
Beam Diameter	(mm)	16,0
Available Colours		
/R (red)		x
/G (green)		x
/B (blue)		x
/W (white)		x
/IR890 (IR, peak 890 nm)		x
/IR890 (IR, peak 940 nm)		x
Length	(mm)	88,6
Outer Diameter	(mm)	28,0
Compatible Telecentric Lenses		
	TC 13	n.a.
	TC 12	n.a.
	TC 23	04,07,09
	TC 4M	04,07,09
	TC 2M	n.a.
	TC16M	n.a.
DEVICE POWER RATINGS		
DC Voltage	(volt)	12 to 24
Power Consumption	(watt)	< 2 watt
LED DIRECT DRIVE RATINGS		
for /W, /B and /G versions		
Max Forward DC Voltage	(volt)	3,5
Max Forward Current	(mA)	350
for /R version		
Max Forward DC Voltage	(volt)	2,5
Max Forward Current	(mA)	350
for /IR890 and /IR940 versions		
Max Forward DC Voltage	(volt)	1,6
Max Forward Current	(mA)	500 mA

Rev No.	Description	Date	Name
A	Layout	09/06/09	A.Vismara



Material	N.A.		Mass	0.130 kg	Scale	1:1	
Surface treatment	N.A.		Project-Prod.Item/Instrument Illuminator LTCL230X				
Geometrical tolerance (ISO 2768-2)		Class	K	Undimensioned bevels	1x45°	Description ASSEMBLY	
Linear tolerance (ISO 2768-2)		Class	m	Undimensioned radii	R 0.5		
0.5	>3-	>6-	>30-	>120	>400-	>1000	>2000
+3	6	30	120	+400	+1000	+2000	+4000
±0.1	±0.1	±0.2	±0.3	±0.5	±0.8	±1.2	±2
www.opto-engineering.com		Date	Name	Drawing No.	Sheet		
Designed		09/06/09	A.Vismara	02010-0-A	1/1		
Draw		09/06/09	A.Vismara				
Checked		X	C. Sedazzari	Reproduction forbidden without specific authorization			