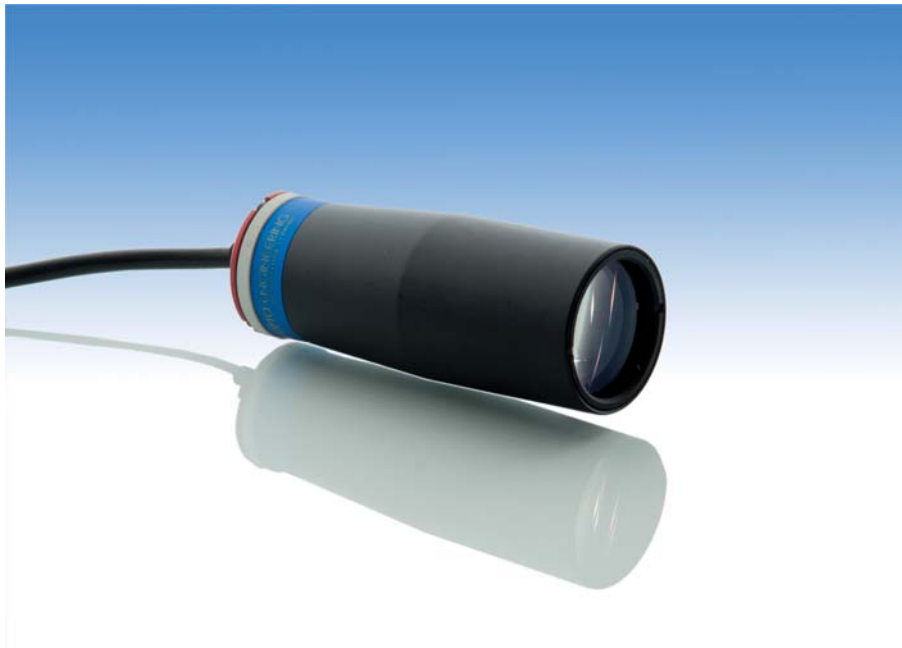


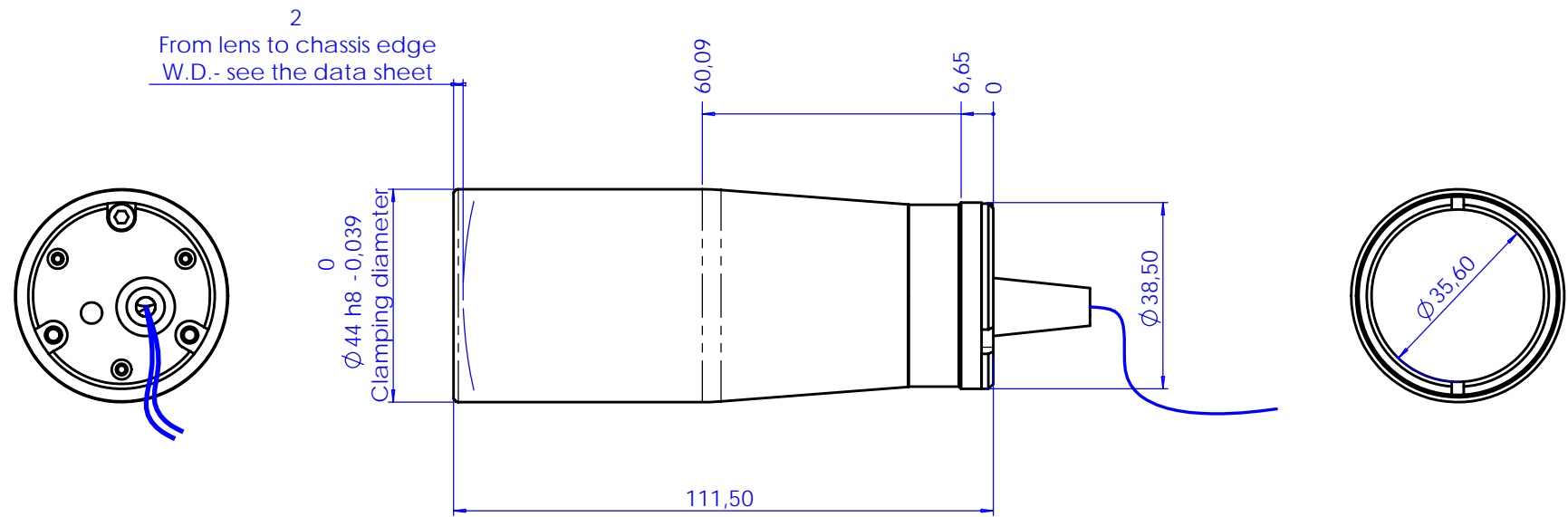
**LT CL 24**

# Collimated Illuminator



part number		LT CL 24
<b>Beam Diameter</b>	(mm)	30,0
<b>Available Colours</b>		
/R (red)		x
/G (green)		x
/B (blue)		x
/W (white)		x
/IR890 (IR, peak 890 nm)		x
/IR890 (IR, peak 940 nm)		x
<b>Length</b>	(mm)	100,0
<b>Outer Diameter</b>	(mm)	44,0
<b>Compatible Telecentric Lenses</b>		
	TC 13	n.a.
	TC 12	24
	TC 23	24
	TC 4M	24
	TC 2M	24
	TC16M	n.a.
<b>DEVICE POWER RATINGS</b>		
DC Voltage	(volt)	12 to 24
Power Consumption	(watt)	< 2 watt
<b>LED DIRECT DRIVE RATINGS</b>		
<b>for /W, /B and /G versions</b>		
Max Forward DC Voltage	(volt)	3,5
Max Forward Current	(mA)	350
<b>for /R version</b>		
Max Forward DC Voltage	(volt)	2,5
Max Forward Current	(mA)	350
<b>for /IR890 and /IR940 versions</b>		
Max Forward DC Voltage	(volt)	1,6
Max Forward Current	(mA)	500 mA

Rev No.	Description	Date	Name
D	First light	07/06/06	A.Vismara
E	New LED holder	10/05/08	A.Vismara



Material	N.A.			Mass	0.30 kg	Scale	1:1
Surface treatment	N.A.			Project-Prod.Item/Instrument		LT CL 24	
Geometrical tolerance (ISO 2768-2)			Class	K	Undimensioned bevels	1x45°	Description
Linear tolerance (ISO 2768-2)			Class	m			
0.5	>3-	>6-	>30-	>120	>400-	>1000	>2000
±0.1	±0.1	±0.2	±0.3	±0.5	±0.8	±1.2	±2
www.opto-engineering.com			Date	Name		Drawing No.	
			Designed	10/05/08	A.Vismara		01277-0-E
			Draw	10/05/08	A.Vismara		
			Checked	X	C. Sedazzari		
OPTO ENGINEERING S.r.l. - 46100 Mantova Italy - Via Cremona, 29/2 - Tel. +39 0376 263525 - e-mai: info@opto-engineering.com - http://www.opto-engineering.com			Date		Name		Sheet
							1/1

Reproduction forbidden without specific authorization