

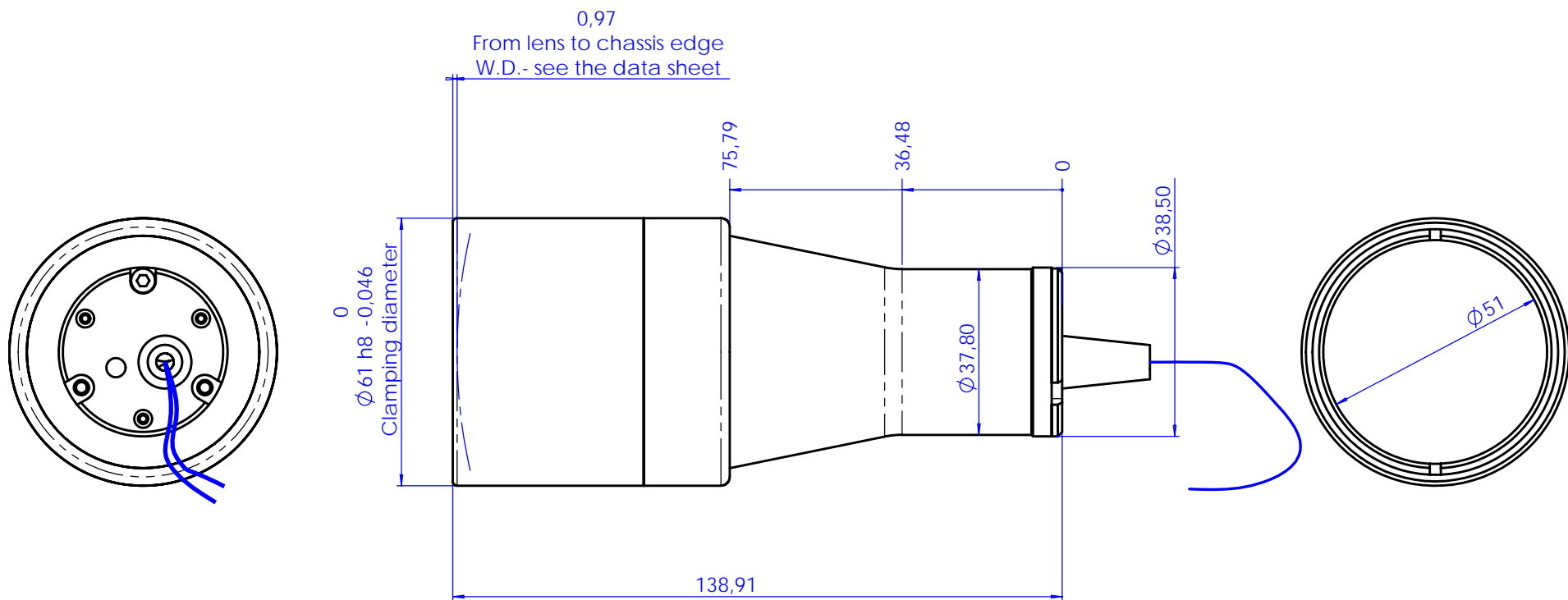
LT CL 36

Collimated Illuminator



part number		LT CL 36
Beam Diameter	(mm)	45,0
Available Colours		
/R (red)		x
/G (green)		x
/B (blue)		x
/W (white)		x
/IR890 (IR, peak 890 nm)		x
/IR890 (IR, peak 940 nm)		x
Length	(mm)	138,9
Outer Diameter	(mm)	61,0
Compatible Telecentric Lenses		
	TC 13	36
	TC 12	36
	TC 23	36
	TC 4M	36
	TC 2M	36
	TC16M	n.a.
DEVICE POWER RATINGS		
DC Voltage	(volt)	12 to 24
Power Consumption	(watt)	< 2 watt
LED DIRECT DRIVE RATINGS		
for /W, /B and /G versions		
Max Forward DC Voltage	(volt)	3,5
Max Forward Current	(mA)	350
for /R version		
Max Forward DC Voltage	(volt)	2,5
Max Forward Current	(mA)	350
for /IR890 and /IR940 versions		
Max Forward DC Voltage	(volt)	1,6
Max Forward Current	(mA)	500 mA

Rev No.	Description	Date	Name
D	First light	23/03/06	A.Vismara
E	New LED holder	10/05/08	A.Vismara



Material	N.A.			Mass	0.42 kg	Scale	1:1
Surface treatment	N.A.			Project-Prod.Item/Instrument		LT CL 36	
Geometrical tolerance (ISO 2768-2)			Class	K	Undimensioned bevels		
Linear tolerance (ISO 2768-2)			Class	m	1x45°		
0.5	>3-	>6-	>30+	>120	>400+	>1000	>2000
+3	6	30	120	+400	+1000	+2000	+4000
±0.1	±0.1	±0.2	±0.3	±0.5	±0.8	±1.2	±2
					Undimensioned radii		
					R 0.5		
					Description		
					Assembly		
					Drawing No.		Sheet
					01274-0-E		1/1
					Reproduction forbidden without specific authorization		

