

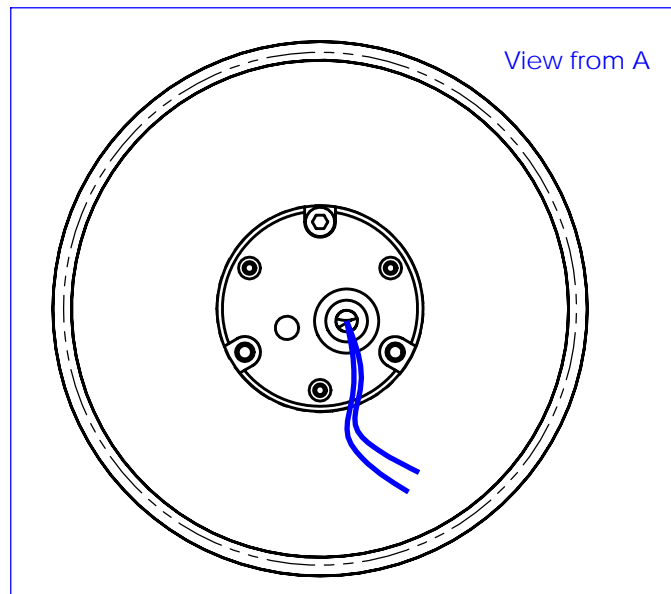
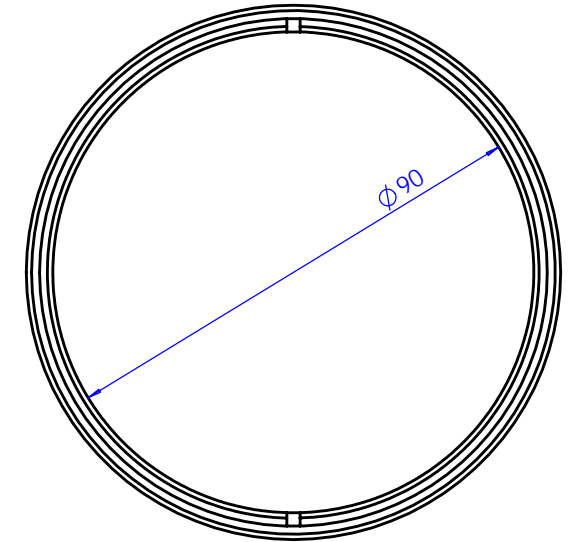
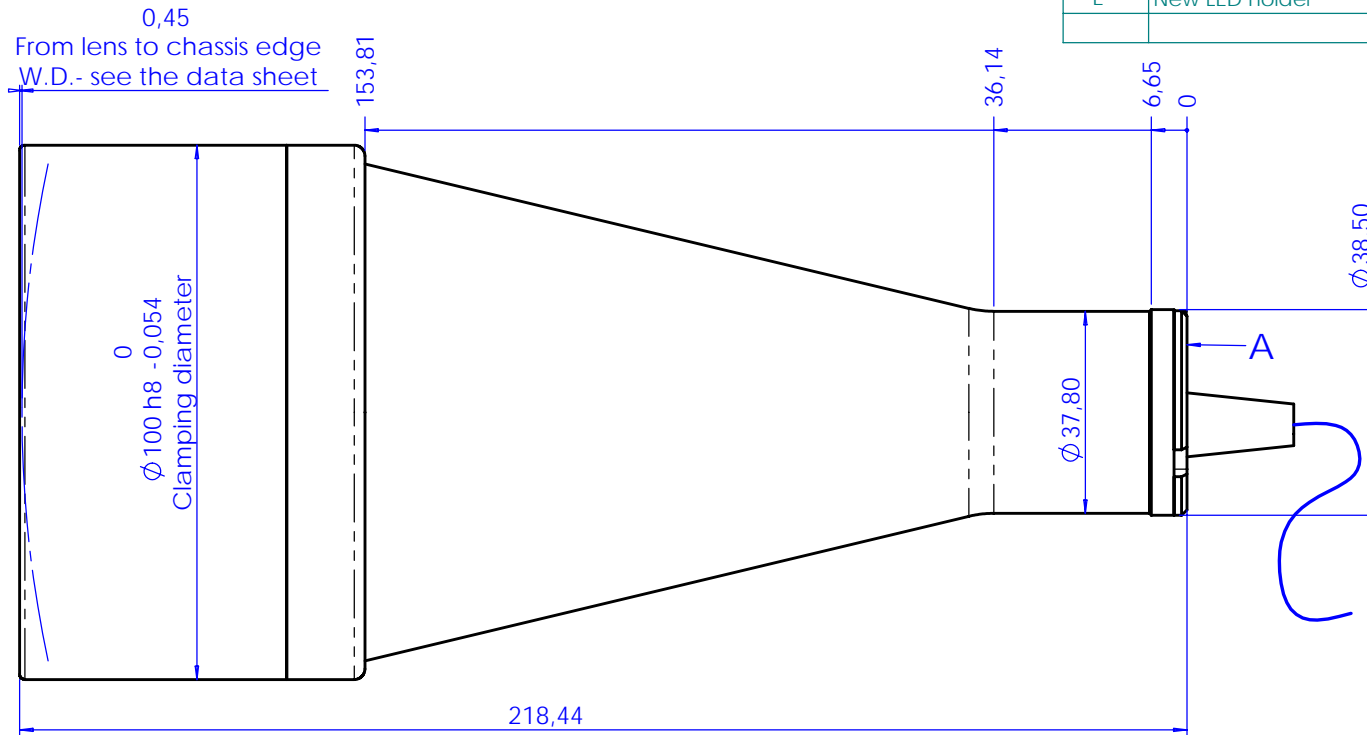
## LT CL 64

# Collimated Illuminator



| part number                           | LT CL 64/X |          |
|---------------------------------------|------------|----------|
| <b>Beam Diameter</b>                  | (mm)       | 80,0     |
| <b>Available Colours</b>              |            |          |
| /R (red)                              |            | x        |
| /G (green)                            |            | x        |
| /B (blue)                             |            | x        |
| /W (white)                            |            | x        |
| /IR890 (IR, peak 890 nm)              |            | x        |
| /IR890 (IR, peak 940 nm)              |            | x        |
| <b>Length</b>                         | (mm)       | 219,5    |
| <b>Outer Diameter</b>                 | (mm)       | 100,0    |
| <b>Compatible Telecentric Lenses</b>  |            |          |
|                                       | TC 13      | 64       |
|                                       | TC 12      | 64       |
|                                       | TC 23      | 64       |
|                                       | TC 4M      | 64       |
|                                       | TC 2M      | 64       |
|                                       | TC16M      | 64       |
| <b>DEVICE POWER RATINGS</b>           |            |          |
| DC Voltage                            | (volt)     | 12 to 24 |
| Power Consumption                     | (watt)     | < 2 watt |
| <b>LED DIRECT DRIVE RATINGS</b>       |            |          |
| <b>for /W, /B and /G versions</b>     |            |          |
| Max Forward DC Voltage                | (volt)     | 3,5      |
| Max Forward Current                   | (mA)       | 350      |
| <b>for /R version</b>                 |            |          |
| Max Forward DC Voltage                | (volt)     | 2,5      |
| Max Forward Current                   | (mA)       | 350      |
| <b>for /IR890 and /IR940 versions</b> |            |          |
| Max Forward DC Voltage                | (volt)     | 1,6      |
| Max Forward Current                   | (mA)       | 500 mA   |

| Rev No. | Description    | Date     | Name      |
|---------|----------------|----------|-----------|
| D       | First light    | 23/03/06 | A.Vismara |
| E       | New LED holder | 10/05/08 | A.Vismara |



|   |      |          |                              |                      |       |                         |       |
|---|------|----------|------------------------------|----------------------|-------|-------------------------|-------|
| Material  | N.A. |          | Mass                         | 0.94 kg              | Scale | 1:1                     |       |
| Surface treatment                                     | N.A. |          | Project-Prod.Item/Instrument | LT CL 64             |       |                         |       |
| Geometrical tolerance (ISO 2768-2)                    |      | Class    | K                            | Undimensioned bevels | 1x45° | Description<br>Assembly |       |
| Linear tolerance (ISO 2768-2)                         |      | Class    | m                            | Undimensioned radii  | R 0.5 |                         |       |
| 0.5   | >3-  | >6-      | >30-                         | >120                 | >400- | >1000                   | >2000 |
| ±3  | ±6   | ±30      | ±120                         | ±400                 | ±1000 | ±2000                   | ±4000 |
| ±0.1  | ±0.1 | ±0.2     | ±0.3                         | ±0.5                 | ±0.8  | ±1.2                    | ±2    |
| www.opto-engineering.com                              |      | Date     |                              | Name                 |       | Drawing No.             | Sheet |
|   |      | Designed | 10/05/08                     | A.Vismara            |       | 01275-0-E               | 1/1   |
|   |      | Draw     | 10/05/08                     | A.Vismara            |       |                         |       |
|   |      | Checked  | X                            | C. Sedazzari         |       |                         |       |
| Reproduction forbidden without specific authorization |      |          |                              |                      |       |                         |       |