

LT CL 80

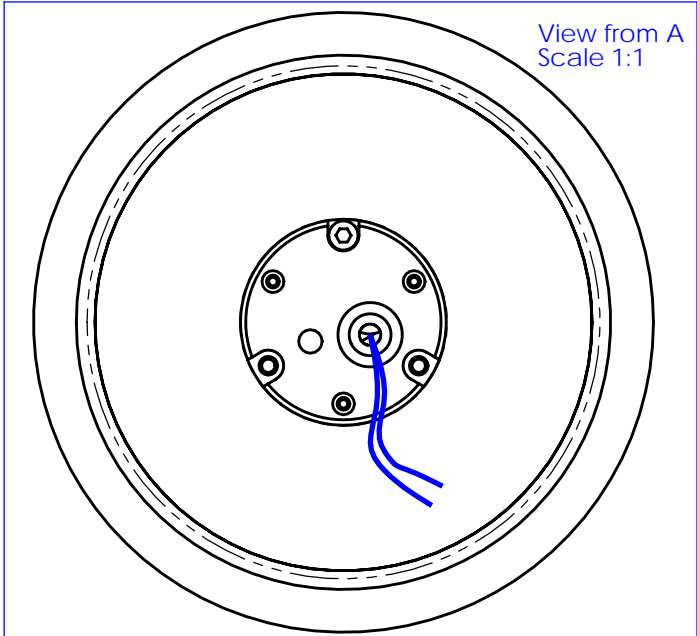
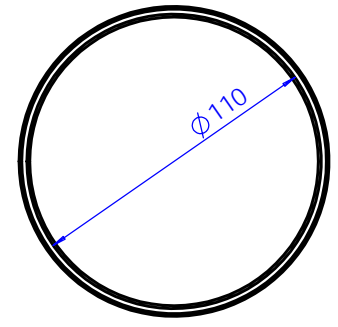
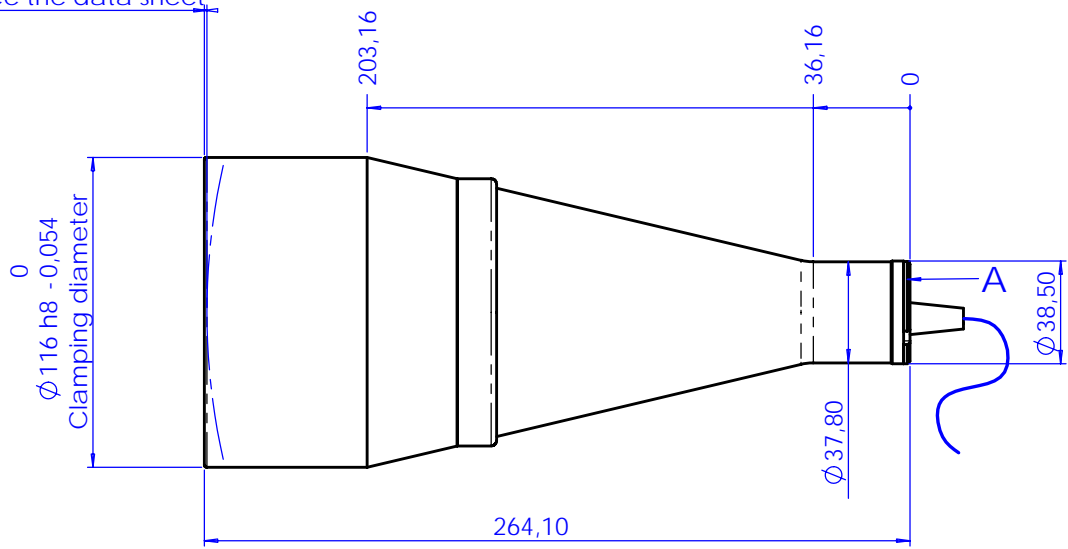
Collimated Illuminator



part number	LT CL 80/X	
Beam Diameter	(mm)	100,0
Available Colours		
/R (red)		x
/G (green)		x
/B (blue)		x
/W (white)		x
/IR890 (IR, peak 890 nm)		x
/IR890 (IR, peak 940 nm)		x
Length	(mm)	264,2
Outer Diameter	(mm)	116,0
Compatible Telecentric Lenses		
	TC 13	n.a.
	TC 12	80
	TC 23	72, 80
	TC 4M	72, 80
	TC 2M	80
	TC16M	80
DEVICE POWER RATINGS		
DC Voltage	(volt)	12 to 24
Power Consumption	(watt)	< 2 watt
LED DIRECT DRIVE RATINGS		
for /W, /B and /G versions		
Max Forward DC Voltage	(volt)	3,5
Max Forward Current	(mA)	350
for /R version		
Max Forward DC Voltage	(volt)	2,5
Max Forward Current	(mA)	350
for /IR890 and /IR940 versions		
Max Forward DC Voltage	(volt)	1,6
Max Forward Current	(mA)	500 mA

Rev No.	Description	Date	Name
D	First light	10/05/06	A.Vismara
E	New LED holder	10/05/08	A.Vismara

1
From lens to chassis edge
W.D.- see the data sheet



View from A
Scale 1:1

Material	N.A.		Mass	1.40 kg	Scale	1:2	
Surface treatment	N.A.		Project-Prod.Item/Instrument	LT CL 80			
Geometrical tolerance (ISO 2768-2)		Class	K	Undimensioned bevels	1x45°	Description Assembly	
Linear tolerance (ISO 2768-2)		Class	m	Undimensioned radii	R 0.5		
0.5 +3 ±0.1	>3- 6 ±0.1	>6- 30 ±0.2	>30- 120 ±0.3	>120 +400 ±0.5	>400- 1000 ±0.8	>1000 +2000 ±1.2	>2000 +4000 ±2
		Date		Name		Drawing No.	
www.opto-engineering.com		Designed	10/05/08	A.Vismara		01276-0-E	
		Draw	10/05/08	A.Vismara			
		Checked	X	C. Sedazzari			
OPTO ENGINEERING S.r.l. - 46100 Mantova Italy - Via Cremona, 29/2 - Tel. +39 0376 263525 - e-mai: info@opto-engineering.com - http://www.opto-engineering.com							