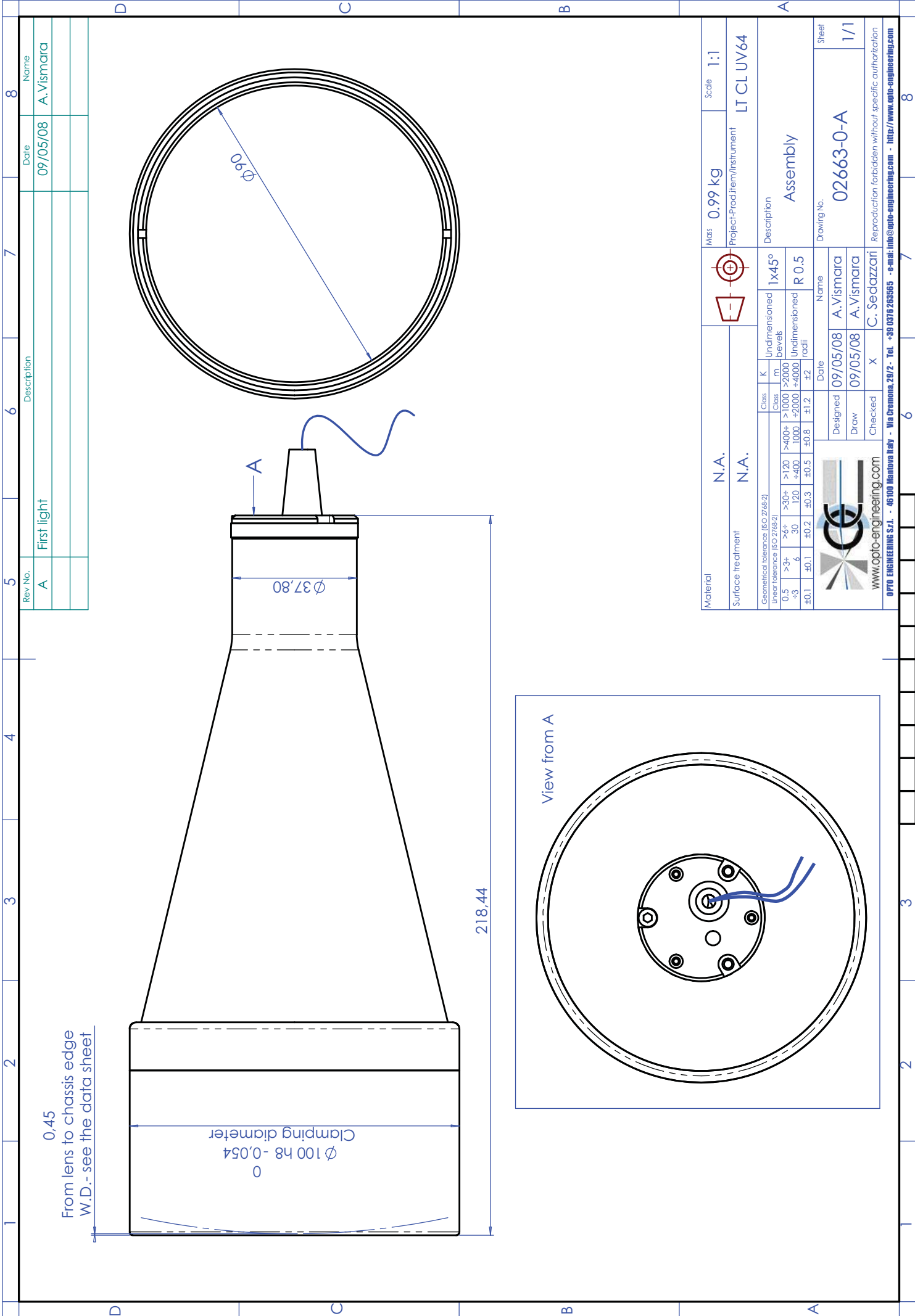


**LTCL UV 64**

# UV LED Collimators For TCUV Telecentric Lenses



part number	LTCLUV64	
<b>Beam Diameter</b>	(mm)	80,0
<b>Emission Peak Wavelength</b>	(nm)	405,00
<b>Emission Bandwidth</b>	(nm)	+/- 20
<b>Beam Divergence</b>	(deg)	< 0,5
<b>Optical Power Output</b>	(mW)	< 40
<b>Eye Safety Class</b>		IIIb LED Product
<b>Length</b>	(mm)	138,9
<b>Outer Diameter</b>	(mm)	61,0
<b>Compatible Telecentric Lenses</b>		
	TC 12	64
	TC 23	64
<b>DEVICE POWER RATINGS</b>		
DC Voltage	(volt)	12 to 24
Power Consumption	(watt)	< 2 watt
<b>LED DIRECT DRIVE RATINGS</b>		
Max Forward DC Voltage	(volt)	3,7
Max Forward Current	(mA)	350



0,45

From lens to chassis edge  
W.D.- see the data sheet

Clamping diameter  
 $\phi 100\ h8\ -0,054$

$\phi 37,80$

218,44

$\phi 60$

View from A

Rev. No.	Description	Date	Name
A	First light	09/05/08	A. Vismara

Material	N.A.	Mass	0,99 kg	Scale	1:1				
Surface treatment	N.A.	Project/ProdItem/Instrument	LT CL UV64						
Geometrical tolerance [ISO 2768-2]	Class	K	Description	Assembly	Sheet				
	Class					1x45°	02663-0-A	1/1	
Linear tolerance [ISO 2768-2]	>3+	>30+	Undimensioned	Drawing No.	02663-0-A				
	>6+	>120	>1000			Reproduction forbidden without specific authorization			
	>30+	>400+	>2000						
±3	6	30	120	±400	±2000	±4000	Undimensioned	R 0.5	
±0.1	±0.1	±0.2	±0.3	±0.5	±0.8	±1.2	±2	Undimensioned	RadII



www.opto-engineering.com  
OPTO ENGINEERING S.r.l. - 46100 Mantova Italy - Via Cremona, 29/2 - Tel. +39 0376 263665 - e-mail: info@opto-engineering.com - http://www.opto-engineering.com

Designed 09/05/08 A. Vismara  
Draw 09/05/08 A. Vismara  
Checked X C. Sedazzari  
Date 09/05/08