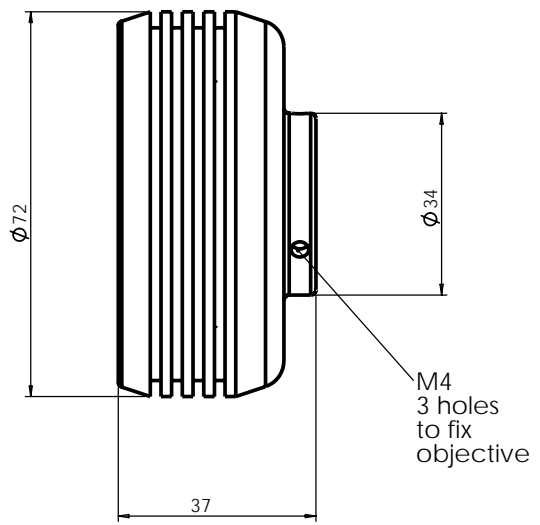
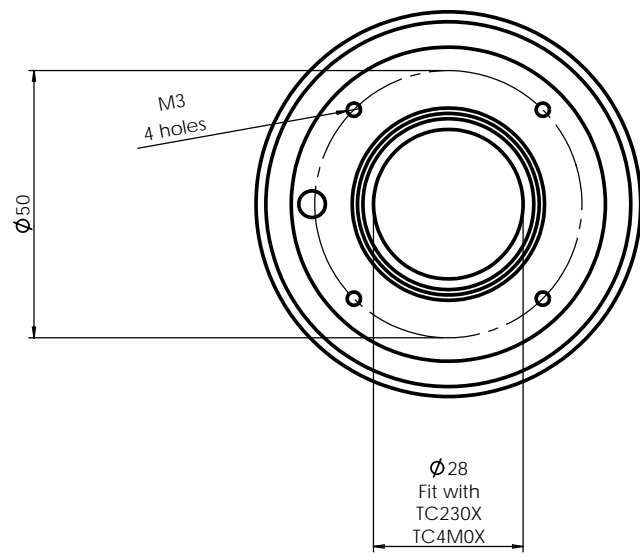


Rev No.	Description	Date	Name
D	LTRN23 layout	22/10/09	



Material	N.A.		Mass	180 gr.	Scale	1:1																														
Surface treatment	N.A.		Project-Prod.Item/Instrument LTRN23																																	
Geometrical tolerance (ISO 2768-2)		<table border="1"> <thead> <tr> <th colspan="2">Class</th> <th>K</th> </tr> <tr> <th>Linear tolerance (ISO 2768-2)</th> <th>Class</th> <th>m</th> </tr> </thead> <tbody> <tr> <td>0.5</td> <td>&gt;3-</td> <td>&gt;6-</td> </tr> <tr> <td>+3</td> <td>6</td> <td>30</td> </tr> <tr> <td><math>\pm 0.1</math></td> <td><math>\pm 0.1</math></td> <td><math>\pm 0.2</math></td> </tr> <tr> <td></td> <td></td> <td><math>\pm 0.3</math></td> </tr> <tr> <td></td> <td></td> <td><math>\pm 0.5</math></td> </tr> <tr> <td></td> <td></td> <td><math>\pm 0.8</math></td> </tr> <tr> <td></td> <td></td> <td><math>\pm 1.2</math></td> </tr> <tr> <td></td> <td></td> <td><math>\pm 2</math></td> </tr> </tbody> </table>	Class		K	Linear tolerance (ISO 2768-2)	Class	m	0.5	>3-	>6-	+3	6	30	$\pm 0.1$	$\pm 0.1$	$\pm 0.2$			$\pm 0.3$			$\pm 0.5$			$\pm 0.8$			$\pm 1.2$			$\pm 2$	Undimensioned bevels $1 \times 45^\circ$		Description LTRN23 layout	
Class			K																																	
Linear tolerance (ISO 2768-2)	Class	m																																		
0.5	>3-	>6-																																		
+3	6	30																																		
$\pm 0.1$	$\pm 0.1$	$\pm 0.2$																																		
		$\pm 0.3$																																		
		$\pm 0.5$																																		
		$\pm 0.8$																																		
		$\pm 1.2$																																		
		$\pm 2$																																		
		Undimensioned radii R 0.5		Drawing No. 18331-0-D																																
 <a href="http://www.opto-engineering.com">www.opto-engineering.com</a>		Date	Name	Sheet																																
		Designed	22/10/09	1/1																																
		Draw	22/10/09																																	
		Checked	X	Reproduction forbidden without specific authorization																																
OPTO ENGINEERING S.r.l. - 46100 Mantova Italy - Via Cremona, 29/2 - Tel. +39 0376 263565 - e-mai: info@opto-engineering.com - http://www.opto-engineering.com																																				