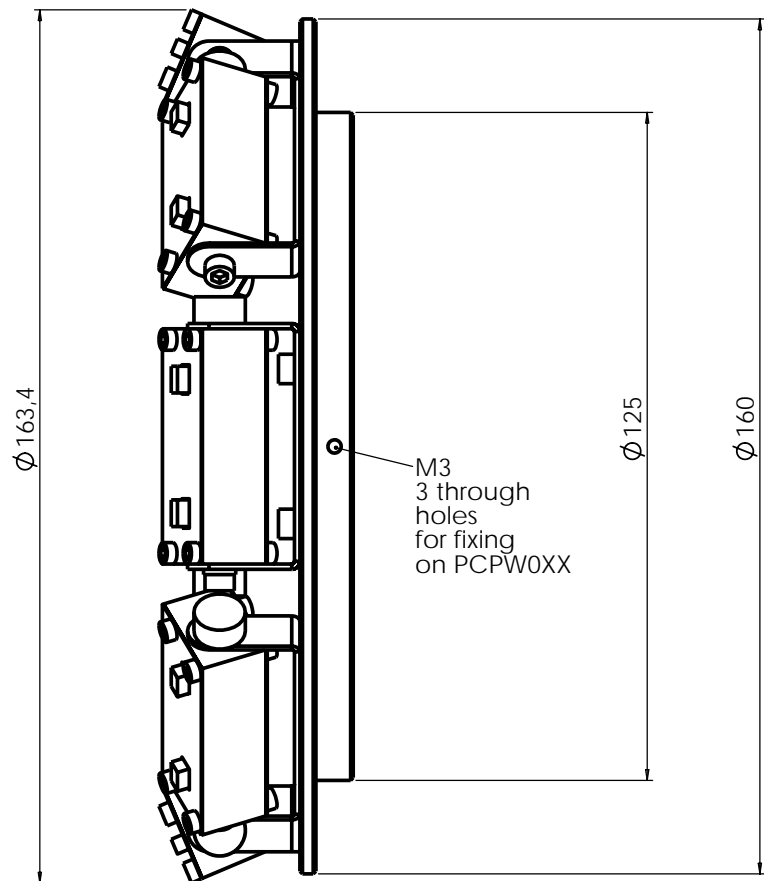
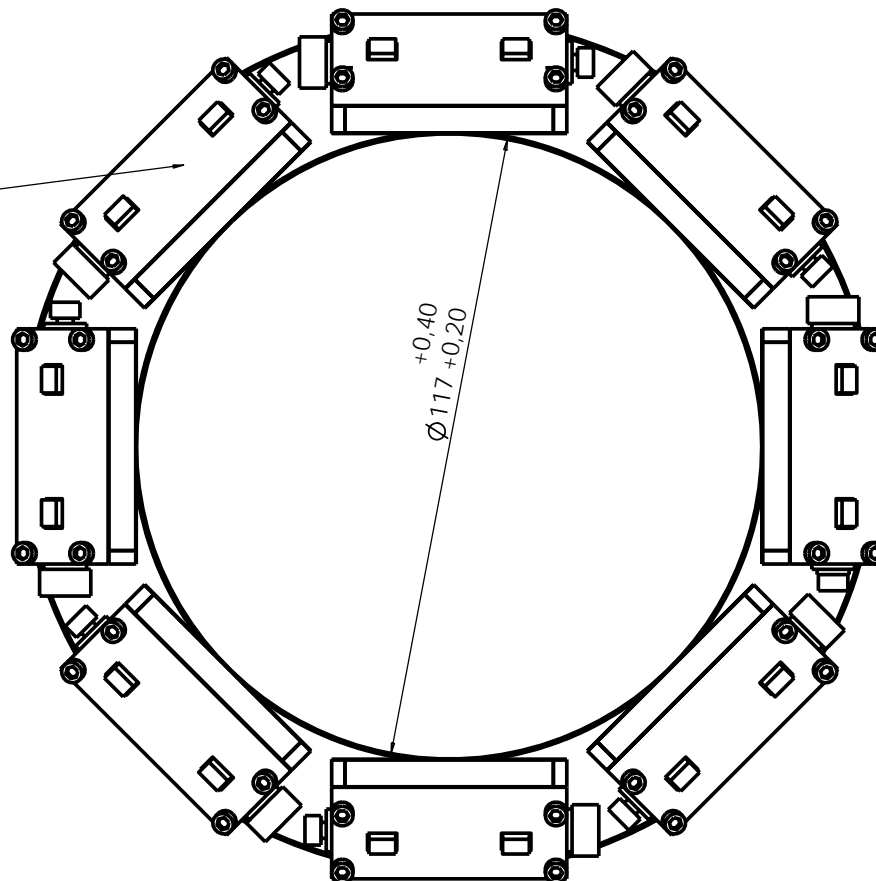


Rev No.	Description	Date	Name
A	Layout	11/09/09	



LTLN044
8 pz
orientation
individually
adjustable



Material	N. A.		Mass	160 gr.	Scale	1:1			
Surface treatment	N. A.		Project-Prod Item/Instrument LTRNCPW						
Geometrical tolerance (ISO 2768-2)		Class	K	Undimensioned bevels	1x45°	Description LTRNCPW layout			
Linear tolerance (ISO 2768-2)		Class	m	Undimensioned radii	R 0.5				
0.5	>3-	>6-	>30-	>120	>400-	>1000	>2000	Drawing No.	Sheet
±3	6	30	120	±400	±1000	±2000	±4000		
±0.1	±0.1	±0.2	±0.3	±0.5	±0.8	±1.2	±2	Date	Name
		Designed	11/09/09	Drawing No.		18571-0-A	Sheet	1/1	
		Draw	11/09/09	Name					
		Checked	X	Date		Reproduction forbidden without specific authorization			
OPTO ENGINEERING S.r.l. - 46100 Mantova Italy - Via Cremona, 29/2 - Tel. +39 0376 263565 - e-mai: info@opto-engineering.com - http://www.opto-engineering.com									