

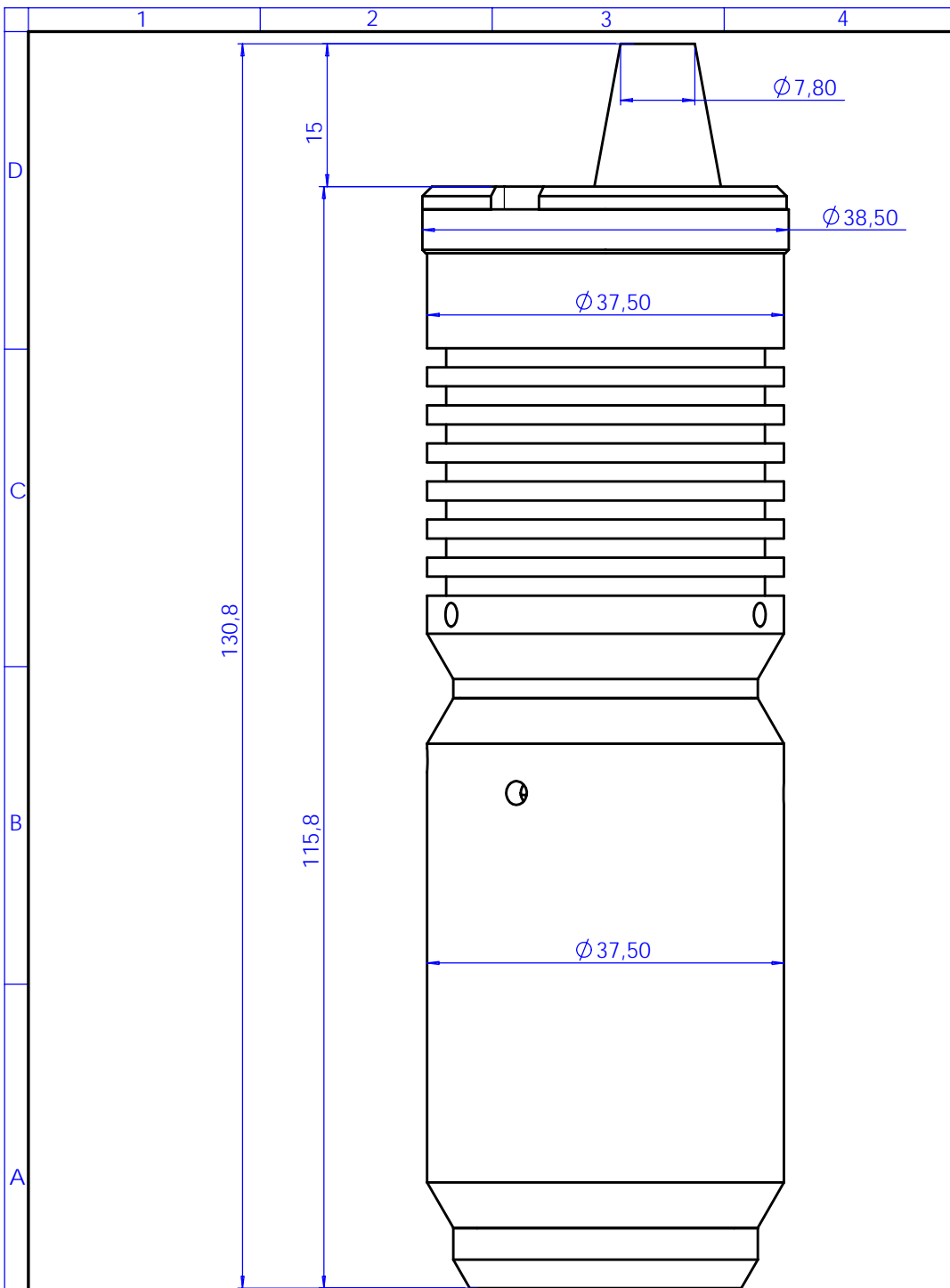
LT SP 3W/R

3W SPOT ILLUMINATOR, RED

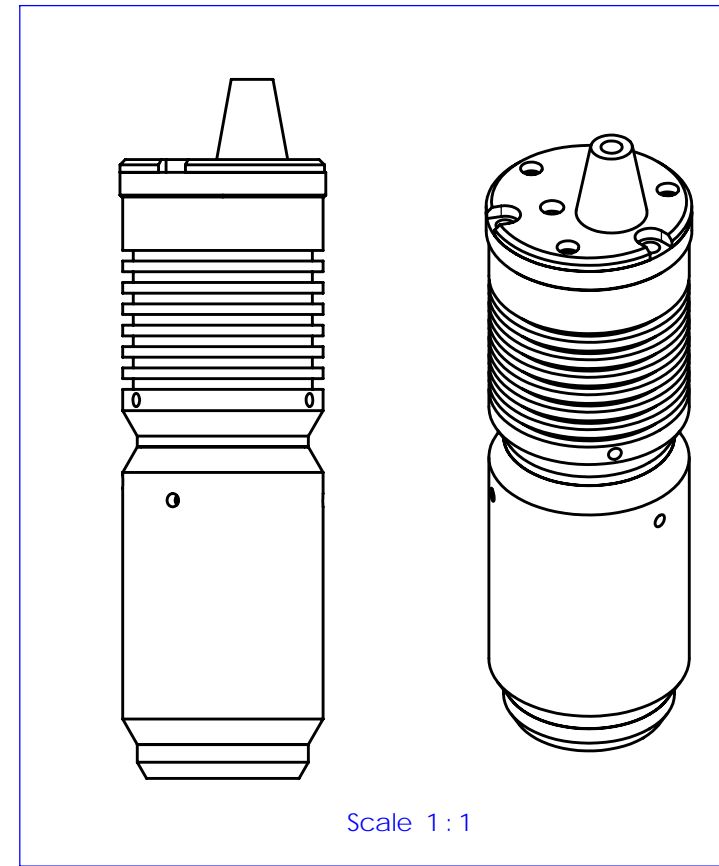


Part Number		LTSP3W/R
Light Color, wavelength peak		red, 630 nm
Illuminance (Irradiance)	@ 100 mm	17 klux
Illuminance (Irradiance)	@ 200 mm	5 klux
Illuminance (Irradiance)	@ 300 mm	2 klux
DEVICE POWER RATINGS		
Minimum DC Voltage	(volt)	12
Maximum DC Voltage	(volt)	24
Power Consumption	(watt)	< 3
LED DIRECT DRIVE RATINGS		
Forward DC Voltage	(volt)	2,6
Forward Current	(mA)	700
Pulse Ratings @0,1 duty/1kHz	(mA)	< 1800

MECHANICAL DRAWINGS: see next page >>



Rev No.	Description	Date	Name
A	Nuovo pezzo	21/03/03	A.Vismara
B	Redesign	05/12/07	A.Vismara



Scale 1 : 1

Material	N.A.			Mass	267 g	Scale	2:1
Surface treatment	N.A.			Project-Prod.Item/Instrument		LTSP	
Geometrical tolerance (ISO 2768-2)			Class	K	Undimensioned bevels		1x45°
Linear tolerance (ISO 2768-2)			Class	m	Undimensioned radii		R 0.5
0.5	>3-	>6-	>30-	>120	>400-	>1000	>2000
+3	6	30	120	+400	+1000	+2000	+4000
±0.1	±0.1	±0.2	±0.3	±0.5	±0.8	±1.2	±2
www.opto-engineering.com			Date	Name		Drawing No.	
			Designed	17/03/03	A.Vismara		03520-0-B
			Draw	05/12/07	A.Vismara		
			Checked	X	C. Sedazzari		
OPTO ENGINEERING S.r.l. - Via Cremona, 29/2 - Tel. +39 0376 229585 - e-mai: info@opto-engineering.it - http://www.opto-engineering.com			Date		Name		Sheet
							1/1

Reproduction forbidden without specific authorization