

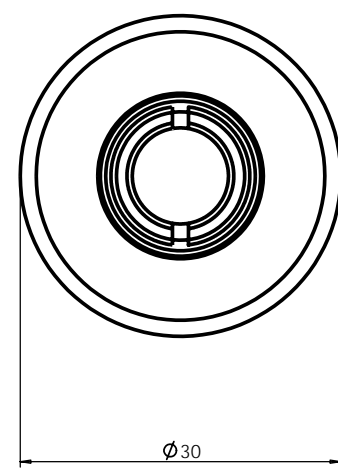
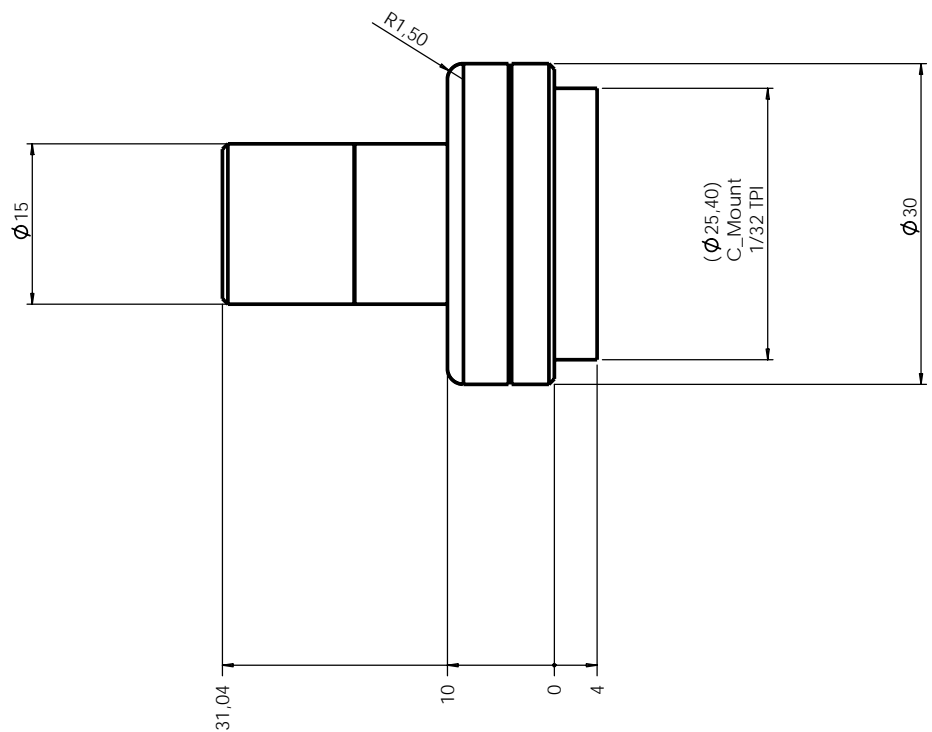
MC0.33X

0.33X Zero Distortion Macro Lens For 2/3" Detector



part number		MC0.33X
Magnification		0,33
Field Of View	(mm x mm)	
1/4" (3,6 mm x 2,7 mm)		10,8 x 8,1
1/3" (4,8 mm x 3,6 mm)		14,4 x 10,8
1/2" (6,4 mm x 4,8 mm)		19,2 x 14,4
1/1.8" (7,0 mm x 5,3 mm)		21,1 x 15,9
2/3" (8,8 mm x 6,6 mm)		26,4 x 19,8
Working Distance	(mm)	102
Distortion	(%)	<0,05
F-number		7
Field Depth	(mm)	3,7
Length	(mm)	31
Diameter	(mm)	15,0
Height	(mm)	30
Mount		C-mount

Rev No.	Description	Date	Name
B	MC0.33X layout	20/11/09	



Material	N.A.		Mass	50 gr.	Scale	2:1	
Surface treatment	N.A.		Project-Prod.Item/Instrument MC0.33X				
Geometrical tolerance (ISO 2768-2)		Class	K	Undimensioned bevels	1x45°	Description MC0.33X layout	
Linear tolerance (ISO 2768-2)		Class	m	Undimensioned radii	R 0.5		
0.5 +3 ±0.1	>3- 6 ±0.1	>6- 30 ±0.2	>30- 120 ±0.3	>120 +400 ±0.5	>400- 1000 ±0.8	>1000 +2000 ±1.2	>2000 +4000 ±2
www.opto-engineering.com		Date		Name		Drawing No.	
Designed		15/10/09				13811-1-B	
Draw		20/11/09					
Checked		X				Sheet 1/1	
OPTO ENGINEERING S.r.l. - 46100 Mantova Italy - Via Cremona, 29/2 - Tel. +39 0376 263565 - e-mail: info@opto-engineering.com - http://www.opto-engineering.com							

