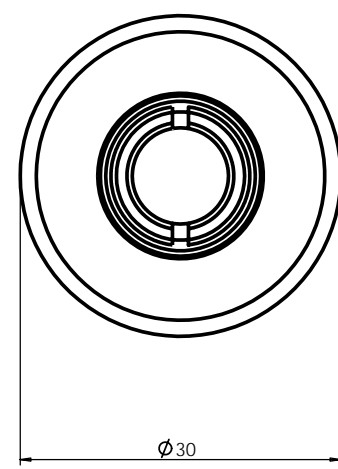
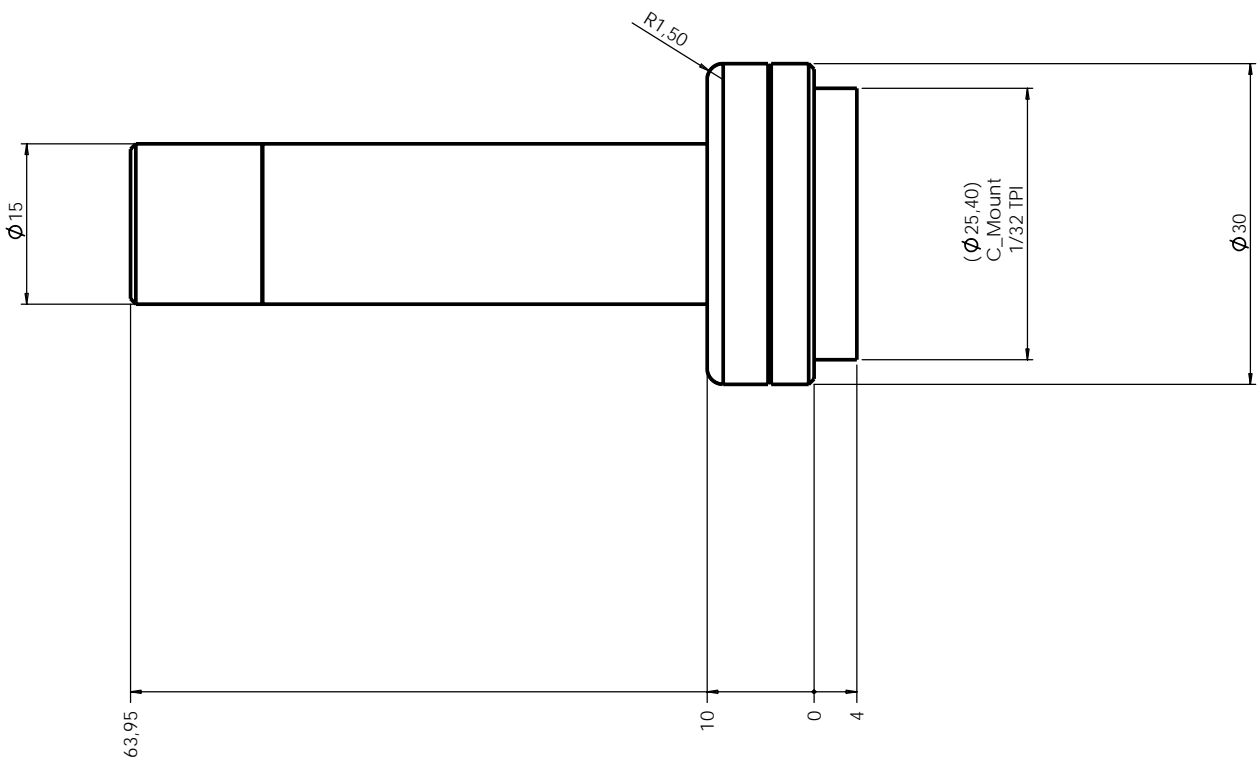


MC1.50X

1.5X Zero Distortion Macro Lens For 2/3" Detector



part number		MC1.50X
Magnification		1,50
Field Of View	(mm x mm)	
1/4" (3,6 mm x 2,7 mm)		2,4 x 1,8
1/3" (4,8 mm x 3,6 mm)		3,2 x 2,4
1/2" (6,4 mm x 4,8 mm)		4,3 x 3,2
1/1.8" (7,0 mm x 5,3 mm)		4,7 x 3,5
2/3" (8,8 mm x 6,6 mm)		5,9 x 4,4
Working Distance	(mm)	38
Distortion	(%)	<0,01
F-number		13
Field Depth	(mm)	0,4
Length	(mm)	64
Diameter	(mm)	15,0
Height	(mm)	30
Mount		C-mount



Rev No.	Description	Date	Name
B	MC1.50X layout	20/11/09	

Material		N.A.				Mass	50 gr.	Scale	2:1
Surface treatment		N.A.				Project-Prod.Item/Instrument MC1.50X			
Geometrical tolerance (ISO 2768-2)				Class	K	Undimensioned bevels		1x45°	
Linear tolerance (ISO 2768-2)				Class	m	Undimensioned radii		R 0.5	
0.5 ±3	>3± 6	>6± 30	>30± 120	>120 ±400	>400± 1000	>1000 ±2000	>2000 ±4000	Description MC1.50X layout	
±0.1	±0.1	±0.2	±0.3	±0.5	±0.8	±1.2	±2	Drawing No.	
		Date		Name		Drawing No.		Sheet	
www.opto-engineering.com		Designed		15/10/09		13811-5-B		1/1	
		Draw		20/11/09		Reproduction forbidden without specific authorization			
		Checked		X					
OPTO ENGINEERING S.r.l. - 46100 Mantova Italy - Via Cremona, 29/2 - Tel. +39 0376 263565 - e-mai: info@opto-engineering.com - http://www.opto-engineering.com									