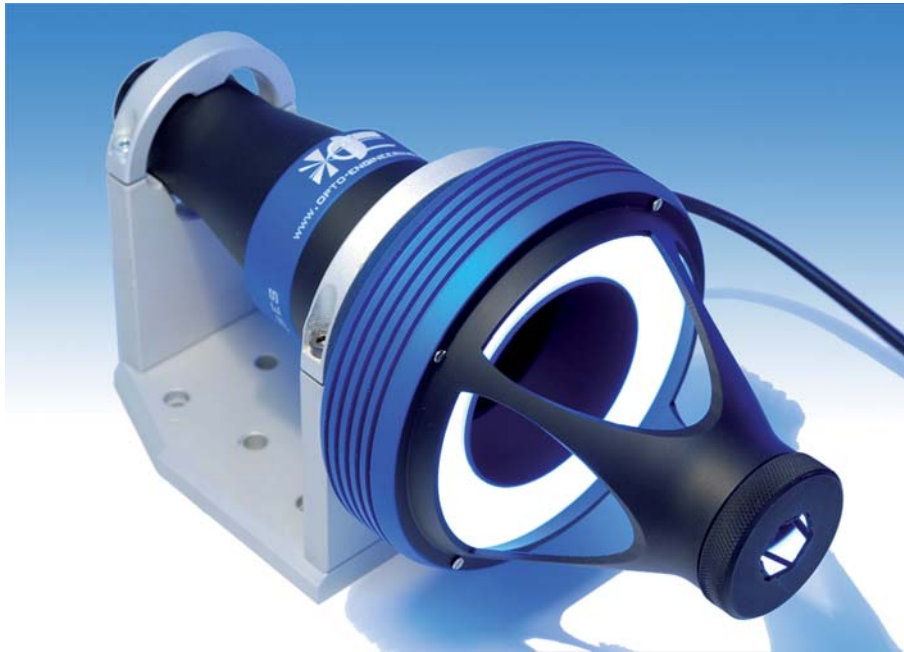


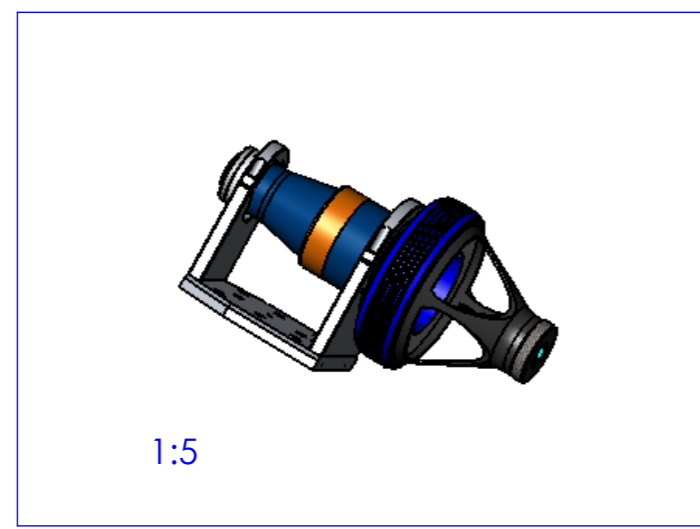
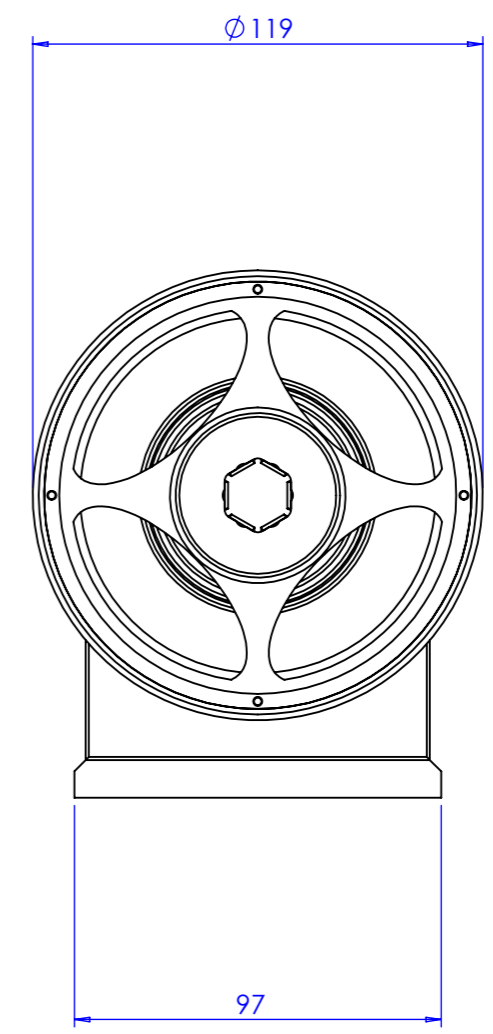
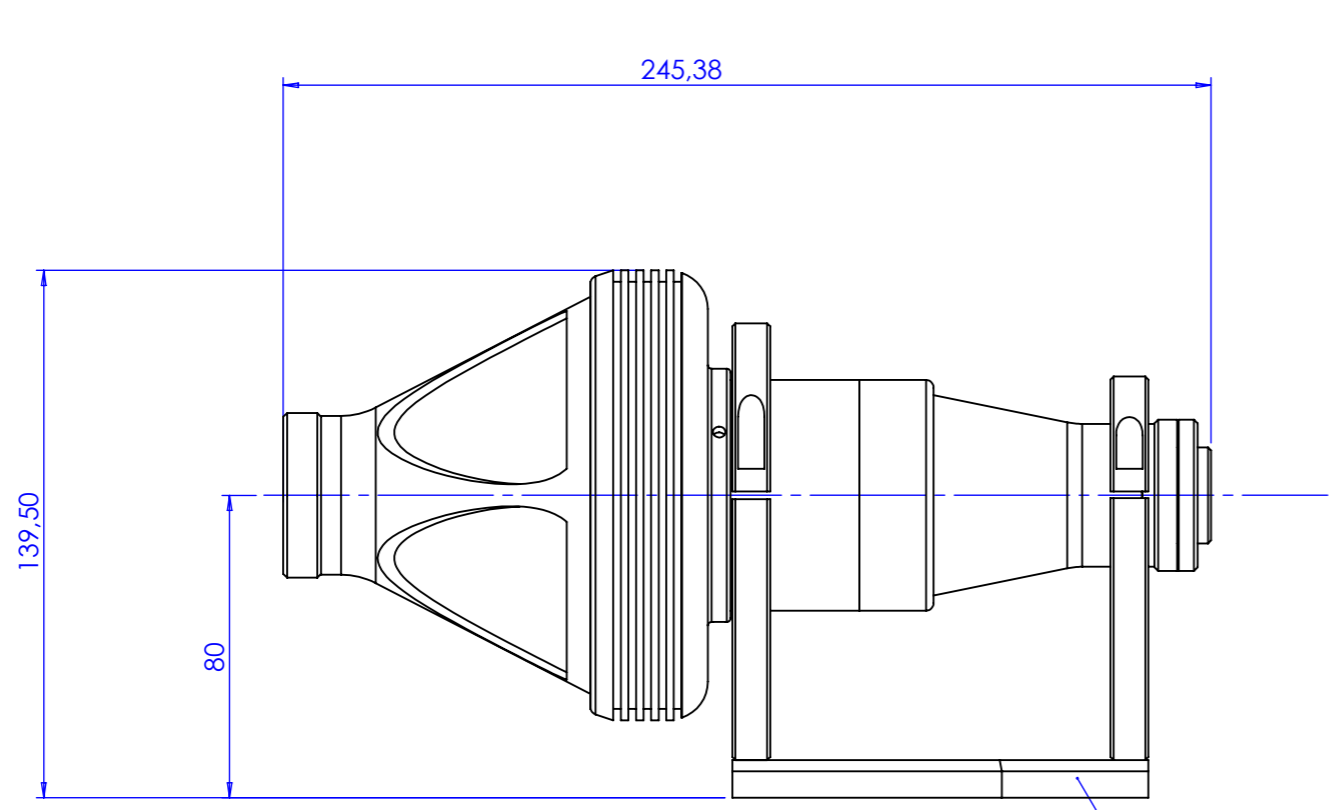
PCMP012

MicroPolyview lens for 1/2" detectors



part number		PCMP012
Detector Size		1/2"
Max Inspection Height with diameter 2.5 mm		6
Max Inspection Height with diameter 5 mm		4,5
Max Inspection Height with diameter 7.5 mm		3
Max Inspection Height with diameter 10 mm		1
Wavelength range	(nm)	450 .. 650
Working distance	(mm)	1,5 .. 5
CTF @ 70 lp/mm	(%)	> 40
F-number		8
Diameter	(mm)	119
Length	(mm)	262
Weight	(g)	980
Mount		C
Illuminator Voltage	(V, DC)	24
Illuminator Power Consumption	(watt)	18

Rev No.	Description	Date	Name
A	Nuova parte	02/02/10	N.Santini



OE CMHO36

Material	N.A.		Mass	Scale	1:2		
Surface treatment	N.A.		Project-Prod.item/Instrument PCMPXXY				
Geometrical tolerance (ISO 2768-2)			Class	K	Undimensioned bevels 1x45° Undimensioned radii R 0.5		
Linear tolerance (ISO 2768-2)			Class	m			
0.5 ±3	>3÷ 6	>6÷ 30	>30÷ 120	>120 ±400	>400÷ 1000	>1000 ±2000	>2000 ±4000
±0.1	±0.1	±0.2	±0.3	±0.5	±0.8	±1.2	±2
		Date	Name	Drawing No.	Sheet		
www.opto-engineering.com		Designed	02/02/10 N.Santini	19131-2-A	2/2		
		Draw	02/02/10 N.Santini				
		Checked	X	Reproduction forbidden without specific authorization			
OPTO ENGINEERING S.r.l. - 46100 Mantova Italy - Via Cremona, 29/2 - Tel. +39 0376 263565 - e-mai: info@opto-engineering.com - http://www.opto-engineering.com							