

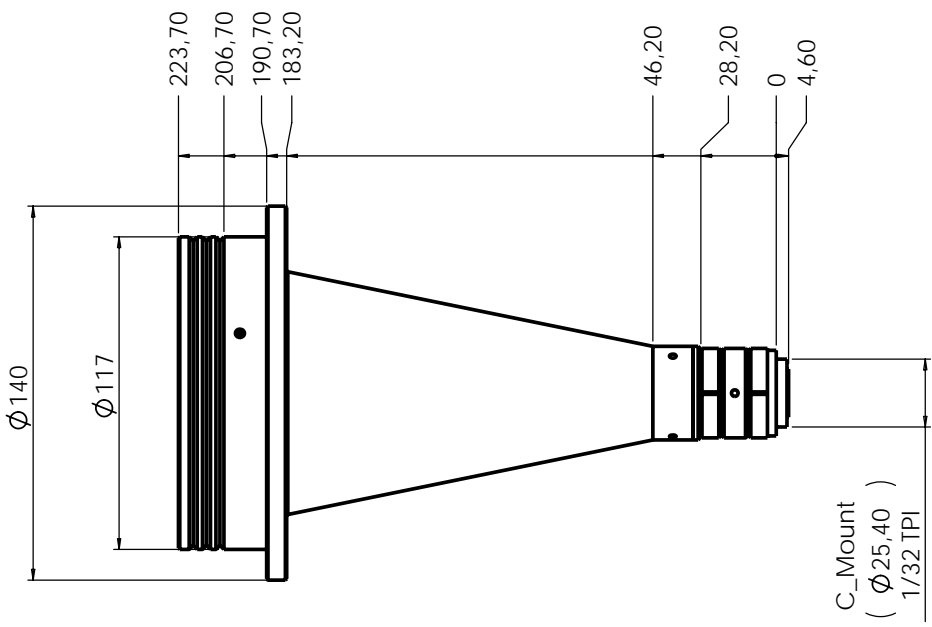
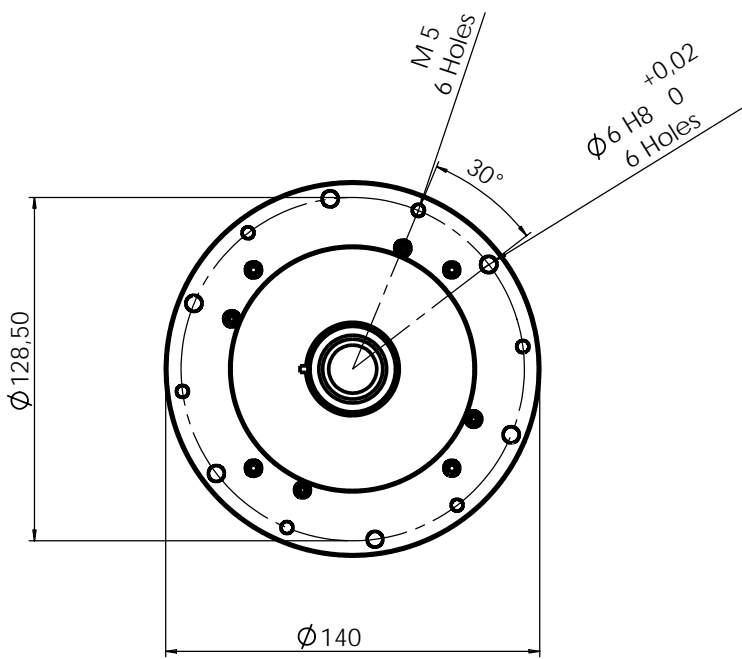
**PCPW013**

# Polyview lens for 1/3" detectors



part number		PCPW013
<b>Detector Size</b>		1/3"
<b>Max. object diameter for SIDE inspection:</b>		
with object height 20 mm	(mm)	30
with object height 5 mm	(mm)	50
<b>Max. object diameter for SIDE + TOP inspection:</b>		
with object height 10 mm	(mm)	30
<b>Wavelength range</b>	(nm)	450 .. 650
<b>Working distance</b>	(mm)	20 .. 40
<b>CTF @ 50 lp/mm</b>	(%)	> 60
<b>F-number</b>		4-12
<b>Diameter</b>	(mm)	140
<b>Length</b>	(mm)	224
<b>Weight</b>	(g)	990
<b>Mount</b>		C

Rev No.	Description	Date	Name
A	Layout	11/09/09	



Material	N. A.		Mass	990 gr.	Scale	1:2	
Surface treatment	N. A.		Project-Prod Item/Instrument	PCPW0XX			
Geometrical tolerance (ISO 2768-2)		Class	K	Undimensioned bevels	1x45°	Description PCPW0XX layout	
Linear tolerance (ISO 2768-2)		Class	m	Undimensioned radii	R 0.5		
0.5	>3-	>6-	>30-	>120	>400-	>1000	>2000
±3	6	30	120	±400	1000	±2000	±4000
±0.1	±0.1	±0.2	±0.3	±0.5	±0.8	±1.2	±2
Date		Name		Drawing No.			
Designed	11/09/09			18551-0-A			
Draw	11/09/09			Sheet			
Checked	X			1/1			
				Reproduction forbidden without specific authorization			
OPTO ENGINEERING S.r.l. - 46100 Mantova Italy - Via Cremona, 29/2 - Tel. +39 0376 263565 - e-mai: info@opto-engineering.com - http://www.opto-engineering.com							