

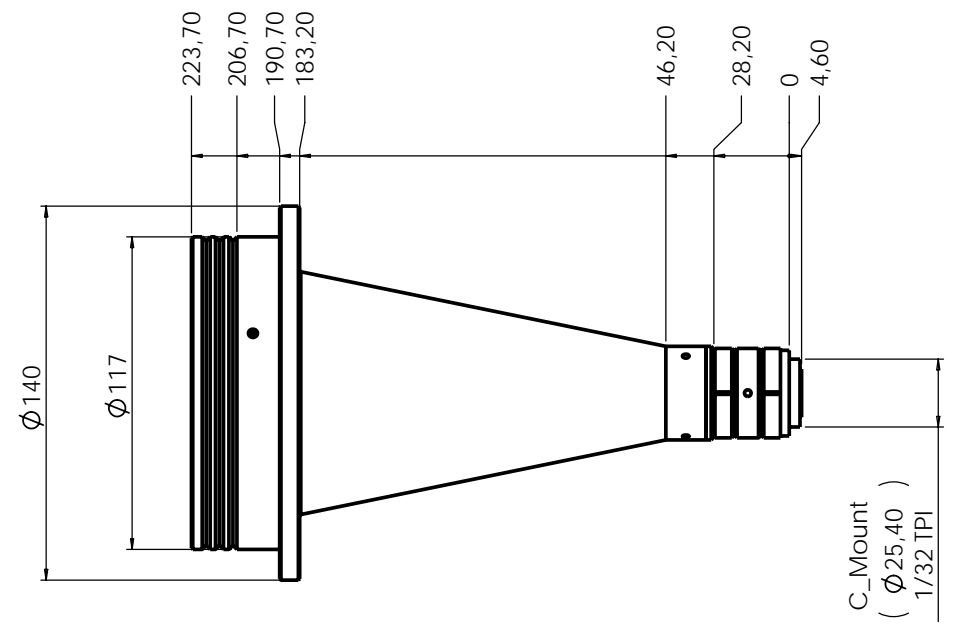
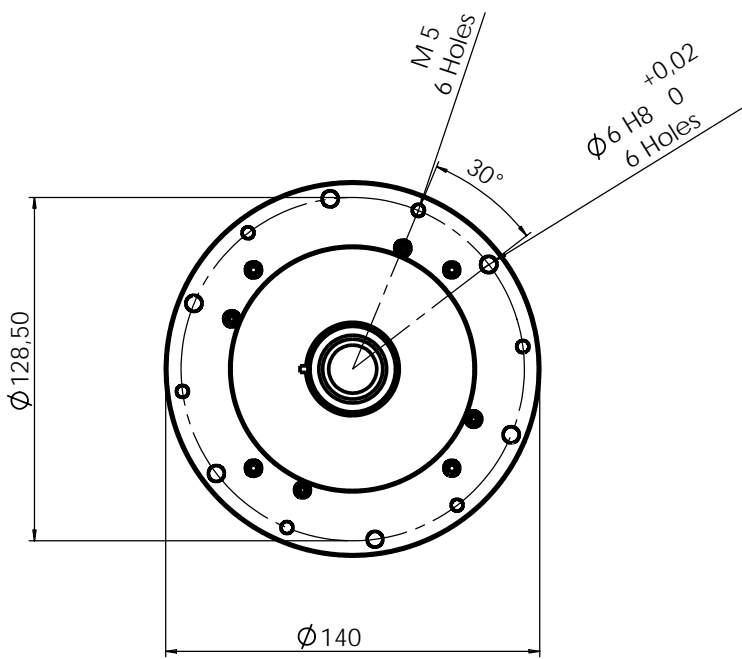
PCPW023

Polyview lens for 2/3" detectors



part number	PCPW023	
Detector Size		2/3"
Max. object diameter for SIDE inspection:		
with object height 20 mm	(mm)	30
with object height 5 mm	(mm)	50
Max. object diameter for SIDE + TOP inspection:		
with object height 10 mm	(mm)	30
Wavelength range	(nm)	450 .. 650
Working distance	(mm)	20 .. 40
CTF @ 50 lp/mm	(%)	> 40
F-number		8-16
Diameter	(mm)	140
Length	(mm)	224
Weight	(g)	990
Mount		C

Rev No.	Description	Date	Name
A	Layout	11/09/09	



Material	N. A.		Mass	990 gr.	Scale	1:2	
Surface treatment	N. A.		Project-Prod Item/Instrument PCPW0XX				
Geometrical tolerance (ISO 2768-2)		Class	K	Undimensioned bevels	1x45°	Description PCPW0XX layout	
Linear tolerance (ISO 2768-2)		Class	m	Undimensioned radii	R 0.5		
0.5	>3-	>6-	>30-	>120	>400-	>1000	>2000
±3	6	30	120	±400	±1000	±2000	±4000
±0.1	±0.1	±0.2	±0.3	±0.5	±0.8	±1.2	±2
Date		Name		Drawing No.			
Designed		11/09/09		18551-0-A			
Draw		11/09/09		Sheet			
Checked		X		1/1			
OPTO ENGINEERING S.r.l. - 46100 Mantova Italy - Via Cremona, 29/2 - Tel. +39 0376 263565 - e-mail: info@opto-engineering.com - http://www.opto-engineering.com							