



**TC 23 64**

# 0,138x Bi-Telecentric lens for detectors up to 2/3"



part number	TC 23 64	
<b>Magnification</b>		0,138 +/- 3%
<b>Field Of View</b>		
with 1/4" (3,6 x 2,7) detector	(mm)	26,2 x 19,6
with 1/3" (4,8 x 3,6) detector		34,9 x 26,2
with 1/2" (6,4 x 4,8) detector		46,5 x 34,9
with 1/1.8" (7,13 x 5,37) detector		51,8 x 39,0
with 2/3" (8,8 x 6,6) detector		64,0 x 48,0
<b>Working Distance</b>	(mm)	182,3 +/- 5
<b>Working F-number</b>		8
<b>Telecentricity</b>	(degree)	< 0,08
<b>Distortion</b>	(%)	< 0,07
<b>Field Depth</b>	(mm)	35,0
<b>CTF @70 lp/mm</b>	(%)	> 50
<b>Image side N.A.</b>		0,0620
<b>Object side N.A.</b>		0,0086
<b>Mount</b>		C
<b>Length</b>	(mm)	245,5
<b>External diameter</b>	(mm)	100,0
<b>Weight</b>	(g)	1100

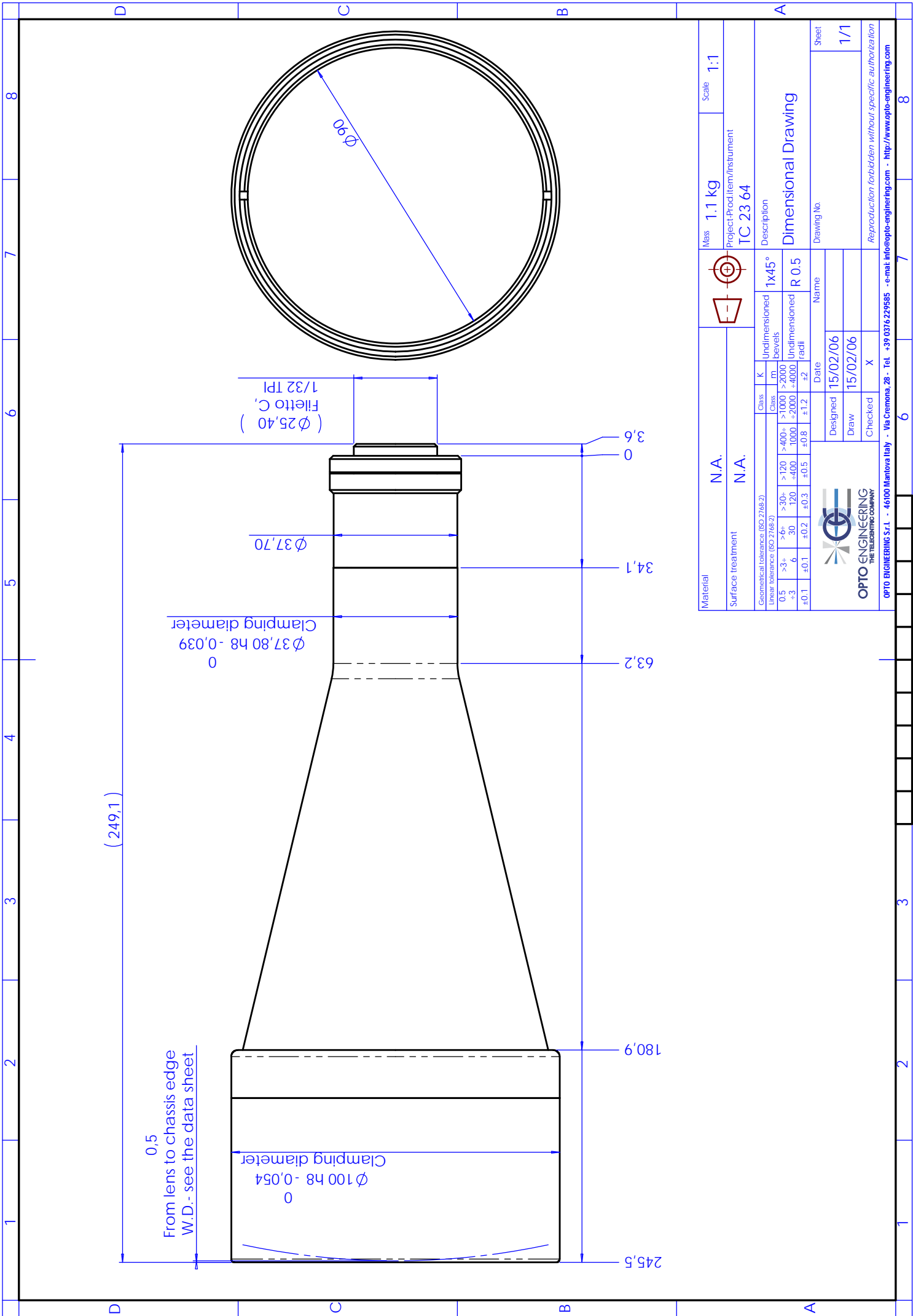
### ACCESSORIES AND OPTIONS:



**Collimated/Telecentric illumination:**  
Compatible with LTCL64 illuminator;  
green light suggested.



**Clamping Mechanics:**  
Compatible with CMHO64.



Mass	1.1 kg	Scale	1:1
Project-Prod.Item/Instrument	TC 23 64		
Description	Dimensional Drawing		
Drawing No.	Sheet 1/1		

Material	N.A.	Class	K	Undimensioned bevels	1x45°
Surface treatment	N.A.	Class	m	Undimensioned	R 0.5
Geometrical tolerance (ISO 2768-2)		Class	m	Undimensioned	
Linear tolerance (ISO 2768-2)		Class	m	Undimensioned	
0.5	>30-	>120	>400+	>1000	>2000
>6+	30	120	+400	1000	+2000
-3	6	-400	-1000	-2000	-4000
+0.1	+0.1	+0.2	+0.3	+0.5	+0.8
					+1.2
					+2
					radII

Material	N.A.	Class	K	Undimensioned bevels	1x45°
Surface treatment	N.A.	Class	m	Undimensioned	R 0.5
Geometrical tolerance (ISO 2768-2)		Class	m	Undimensioned	
Linear tolerance (ISO 2768-2)		Class	m	Undimensioned	
0.5	>30-	>120	>400+	>1000	>2000
>6+	30	120	+400	1000	+2000
-3	6	-400	-1000	-2000	-4000
+0.1	+0.1	+0.2	+0.3	+0.5	+0.8
					+1.2
					+2
					radII



OPTO ENGINEERING S.r.l. - 46100 Mantova Italy - Via Crenoma, 28 - Tel. +39 0376 229585 - e-mail: info@opto-engineering.com - <http://www.opto-engineering.com>