

TC 4M 120

Bi-Telecentric Lens for Large Detectors up to 1.2" (21.5 mm diagonal)



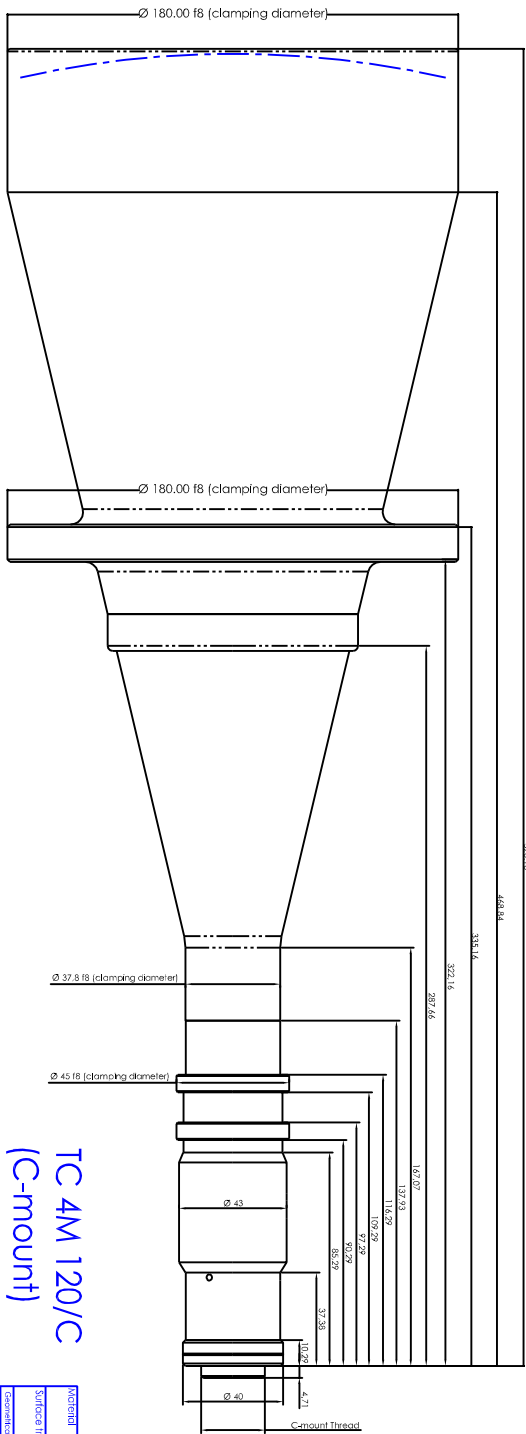
part number		TC 4M 120 (/C/F)
Magnification		0,143 +/- 3%
Field Of View	(mm)	
with IBIS4-6600		73,3 x 54,0
with KAI2020		82,7 x 62,0
with KAI 2093		99,2 x 55,8
with MI-MV40		114,9 x 84,4
with KAI4011/4021		105,8 x 105,8
Working Distance	(mm)	336,5 +/- 10
Working F-number		16
Telecentricity	(degree)	< 0,1
Distortion	(%)	< 0,1
Field Depth	(mm)	56,0
CTF @50 lp/mm	(%)	> 30
Image side N.A.		0,0310
Object side N.A.		0,0044
Mount		C or F
Length	(mm)	527,4
External diameter	(mm)	180,0
Weight	(g)	5700

ACCESSORIES AND OPTIONS:

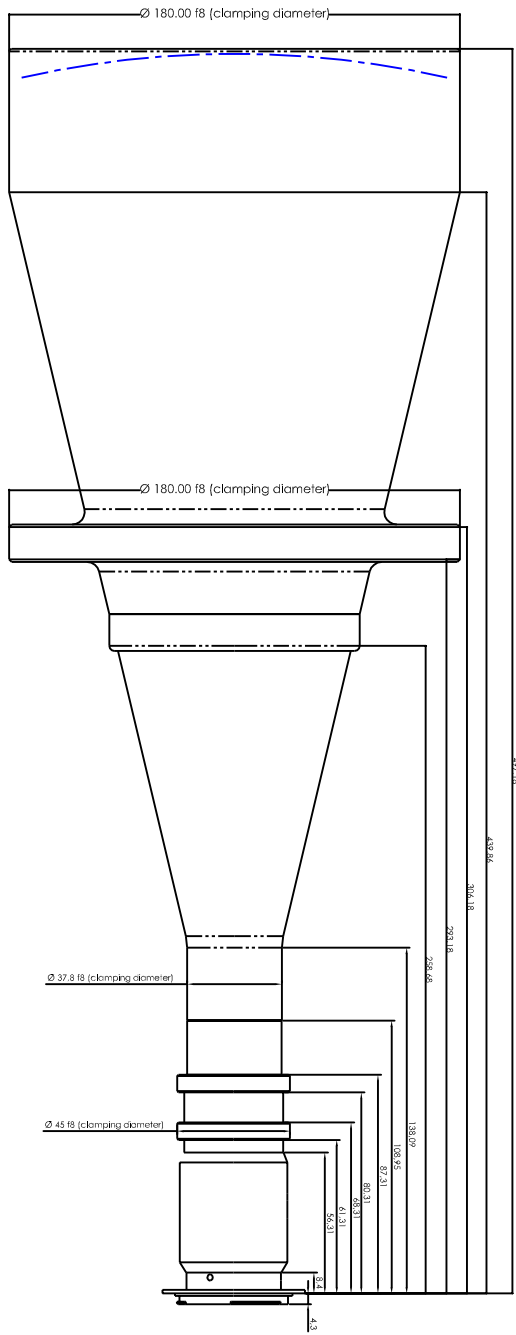


Collimated/Telecentric illumination:

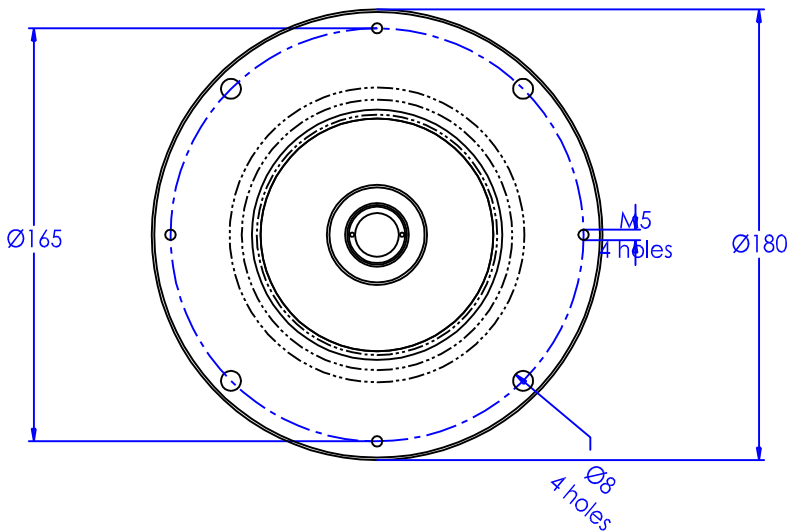
Compatible with LTCL120 illuminator;
green light suggested.



TC 4M 120/C
(C-mount)



TC 4M 120/F
(F-mount)



Model	N.A.	Mass	5,7 Kg	Scale	1:1
Surface treatment	N.A.	Product/Production/Instrument	Telecentric lens TC 4M 120		
Assembly		Description	Assembly		
Designed	10/03/06	Date	10/03/06	Designed by	A.Vismara
Drawn	10/03/06	Date	10/03/06	Drawn by	A.Vismara
Checked	X	Date		Checked by	C.Sedazzoli
<p>ORTO ENGINEERING S.p.A. - ASTO Business Unit - Via Cernaia, 23/2 - Tel/Fax: +39 0326 228918 - e-mail: info@orto-engineering.com - http://www.orto-engineering.com</p>					

Rev. No.	Description	Date	Name
A	First light	10/03/06	A.Vismara