

TCBENCH36

0,24x TELECENTRIC OPTICAL BENCH KIT



WWW.OPTO-ENGINEERING.COM

LT CL illuminator:
LTCL36/G

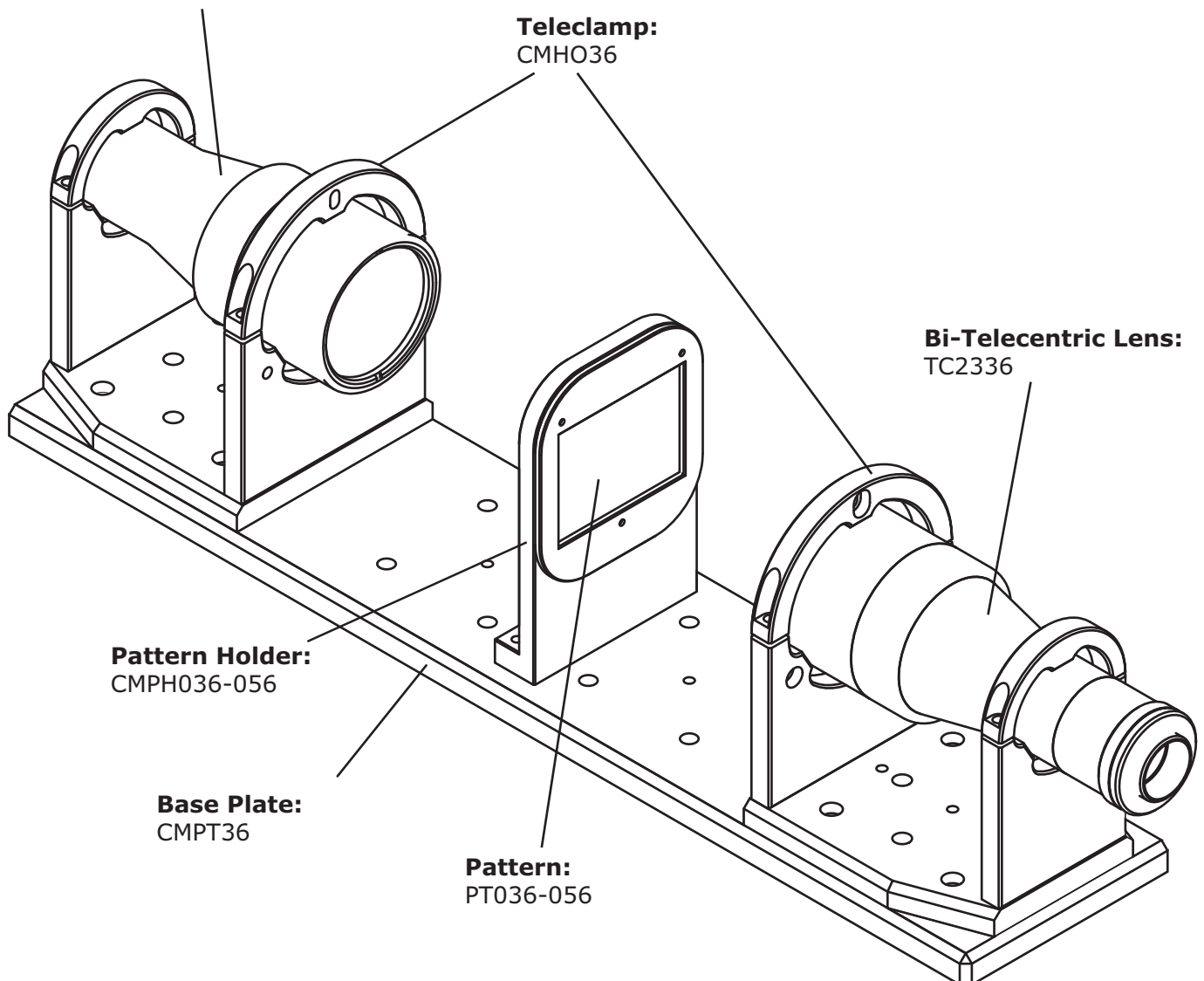
Teleclamp:
CMH036

Bi-Telecentric Lens:
TC2336

Pattern Holder:
CMPH036-056

Base Plate:
CMPT36

Pattern:
PT036-056



Part Number		TCBENCH36
Magnification		0,243
Field Of View	(mm x mm)	
with 1/2" (6,4 x 4,8) detector		26,3 x 19,7
with 1/1.8" (7,13 x 5,37) detector		29,3 x 22,1
with 2/3" (8,8 x 6,6) detector		36,2 = 27,1
Measurement Accuracy	(micron)	22,0
Measurement Accuracy	(%)	0,06%
Field Depth	(mm)	14,00
CTF @70 lp/mm	(%)	> 50
Mount		C
Length	(mm)	529,0
Width	(mm)	103,0
Height	(mm)	140,5
Weight	(g)	4150

MECHANICAL DRAWINGS: see next page >>