

# TCBENCH80

## 0,11x TELECENTRIC OPTICAL BENCH KIT



WWW.OPTO-ENGINEERING.COM

**LT CL illuminator:**  
LTCL80/G

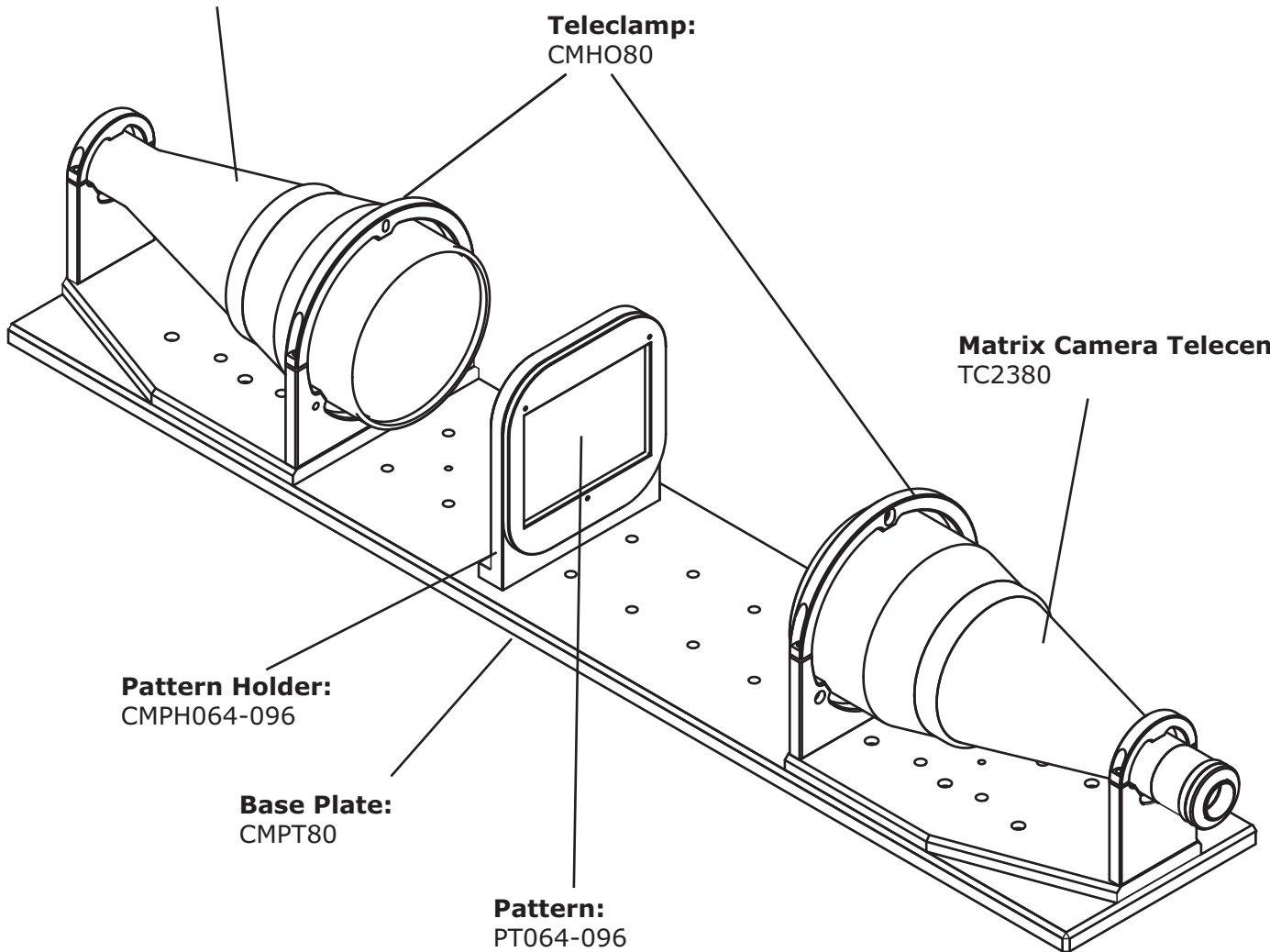
**Teleclamp:**  
CMHO80

**Matrix Camera Telecentric:**  
TC2380

**Pattern Holder:**  
CMPH064-096

**Base Plate:**  
CMPT80

**Pattern:**  
PT064-096



Part Number	TCBENCH80	
<b>Magnification</b>		0,110
<b>Field Of View</b>	<b>(mm x mm)</b>	
with 1/2" (6,4 x 4,8) detector		58,0 = 43,5
with 1/1.8" (7,13 x 5,37) detector		64,6 = 48,7
with 2/3" (8,8 x 6,6) detector		79,8 n.a. 59,8
<b>Measurement Accuracy</b>	<b>(micron)</b>	55,0
<b>Measurement Accuracy</b>	<b>(%)</b>	0,07%
<b>Field Depth</b>	<b>(mm)</b>	67,00
<b>CTF @70 lp/mm</b>	<b>(%)</b>	> 55
<b>Mount</b>		C
<b>Length</b>	<b>(mm)</b>	915,0
<b>Width</b>	<b>(mm)</b>	158,0
<b>Height</b>	<b>(mm)</b>	168,0
<b>Weight</b>	<b>(g)</b>	11100

**MECHANICAL DRAWINGS: see next page >>**