



TC UV 23 64

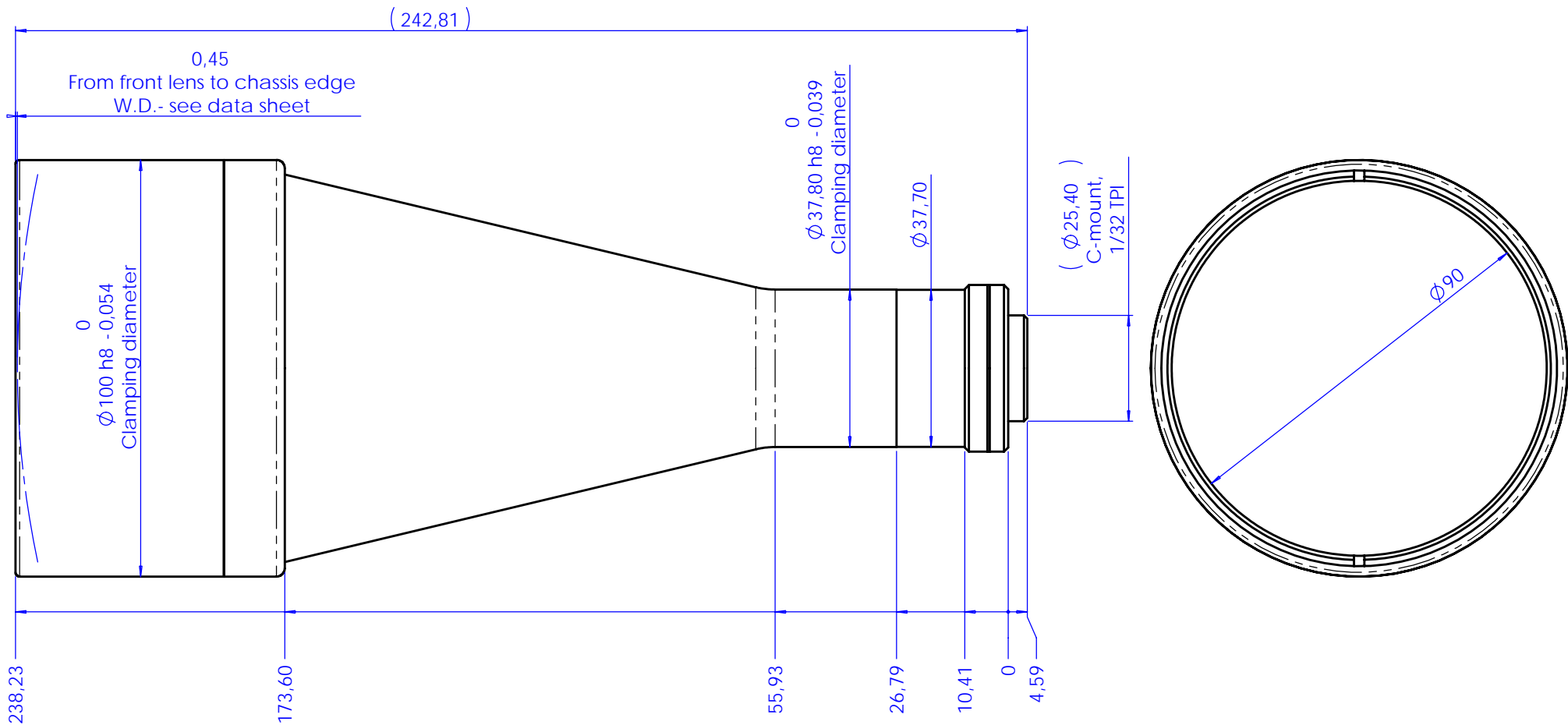
UV Bi-Telecentric Lens for detectors up to 2/3"



part number	TC UV 23 64	
Range	(nm)	365 / 420
Magnification		0,137 +/- 3%
Object Field	(mm x mm)	
with 1/4" (3,6 x 2,7) detector		26,2 x 19,7
with 1/3" (4,8 x 3,6) detector		34,9 x 26,2
with 1/2" (6,4 x 4,8) detector		46,6 x 34,9
with 1/1.8" (7,13 x 5,37) detector		51,9 x 39,1
with 2/3" (8,8 x 6,6) detector		64,1 x 48,0
Working Distance	(mm)	176,0 +/- 5
Working F-number		8
Telecentricity	(degree)	< 0,08
Distortion	(%)	< 0,08
Field Depth	(mm)	35,0
CTF @70 lp/mm	(%)	> 40
Image side N.A.		0,0620
Object side N.A.		0,0086
Mount		C
Length	(mm)	160,4
External diameter	(mm)	100,0
Weight	(g)	1100

Possible vignetting at the image corners with 1/1.8" detectors

Rev No.	Description	Date	Name
A	First light	09/05/08	A.Vismara



Material	N.A.		Mass	1.1 kg	Scale	1:1
Surface treatment	N.A.		Project-Prod.Item/Instrument Telecentric lens UV 23 64			
Geometrical tolerance (ISO 2768-2)		Class	K	Undimensioned bevels		
Linear tolerance (ISO 2768-2)		Class	m	Undimensioned radii		
0.5	>3-	>6-	>30-	>120	>400-	>1000
+3	6	30	120	+400	1000	+2000
±0.1	±0.1	±0.2	±0.3	±0.5	±0.8	±1.2
Date		Name				
Designed	09/05/08	A.Vismara				
Draw	09/05/08	A.Vismara				
Checked	X	C. Sedazzari				
			Drawing No.		Sheet	
www.opto-engineering.com			02624-0-A		1/1	
Reproduction forbidden without specific authorization						